

COSPOLICH

2M
SERIES

MODEL NUMBERS:

F22-2M-ADS-MLR **F22-2M-SN-MLR MIL SPEC**
F25-2M-ADS-MLR **F25-2M-SN-MLR MIL SPEC**
F30-2M-ADS-MLR **F30-2M-SN-MLR MIL SPEC**

Designed for easy installation where passage ways or other obstructions prohibit the use of conventional units.

CABINET CONSTRUCTION

Exterior and interior of all standard cabinets, including front, sides, doors and louvered grill are constructed of heavy gauge, type 304 stainless steel.

Special attention was taken in engineering the doors of the Cospolich cabinet. The door unit was designed to withstand the continuous use and abuse that is common in all food service applications.

Resilient vinyl gaskets which are pre-formed in frames with welded corners, greatly inhibit bacterial growth and are easily replaceable.

Heaters, which are concealed under the thermal breaker strip around the door perimeter, prevent condensation.

INSTALLATION

As an aid to installation, a foundation for securing the cabinet to the deck is an available option. Installation instructions and a manual are furnished with the unit.

HARDWARE

Positive latches with magnetic back-up are included on all standard cabinets to assure positive latching and sealing. Incorporated into the latch is a replaceable, keyed cylinder lock.

Heavy duty, adjustable, chrome plated hinges are provided on all standard cabinets. Also available, at no extra cost, are 180 degrees self-closing, cam-lift hinges with stay-open feature at 93 degrees.

Cabinet body and doors are insulated with foamed-in-place polyurethane foam, providing for excellent rigidity and the best insulating properties in the industry.

REFRIGERATION SYSTEM

All components of the refrigeration system, with the exception of the evaporator, are bottom mounted on a heavy duty base frame behind a louvered grill which is easily removable without the use of tools. The condensing unit is mounted on a slide out rail for ease in cleaning and servicing.

All evaporator coils are copper tube, and all AC voltage models have forced-air ventilation. The refrigerant flow is monitored by an expansion valve for effective cooling. A condensate evaporator is provided, thus eliminating the need for additional plumbing.

Refrigeration lines are fabricated using self-sealing, quick-connect fittings, which allow assembly without recharging system.

F30-2M-SN-MLR

Temperature of the cabinet is factory adjusted, and the controls, along with off/on switch are located in the condensing unit area.

Defrost cycles on specified low-temperature cabinets (ADS models) prevent the need for manual defrosting.

SHELVING

Standard interior shelving consists of heavy-duty epoxy-coated steel wire with front rail. Each shelf is adjustable in one-inch increments. Stainless steel shelving and brackets are also available.

SERVICE AID

An optional service kit, including spare parts and installation instructions, is available for each model. U.L. and U.S.P.H.

U.L. and U.S.P.H.

This equipment is listed by Underwriters Laboratories, Inc. for safety and sanitation and is built according to standards as set forth by the U.S. Public Health Service.

THIS UNIT AVAILABLE IN OUR STANDARD CONSTRUCTION

FEATURES

- Stainless steel interior and exterior
- Oversized refrigeration system
- Anti-condensate door heaters
- Heavy-duty chrome-plated hardware
- Door with adjustable alignment
- Epoxy coated adjustable shelving with front rail
- Vaporizing pan to remove condensate
- Removable grill
- Polyurethane insulation
- Slide-out condensing unit
- Resilient gaskets
- Exterior dial thermometer
- Quick connect fittings
- Polarized electrical fittings
- Auto Defrost



OPTIONS

Some options available as offered on the standard construction.

THE MODULAR CONCEPT

This series of modular refrigerators was engineered and constructed to solve the problem of replacing existing failed equipment. Unique to the industry, these units, which comprise a series of interlocking components, brought new meaning to the term "hatchable" equipment. This innovative design allows for equipment upgrades without having to cut access ways in decks and bulkheads or having to modify passage ways.

www.cospolich.com

Quality & Innovation Since 1937

MODULAR FREEZERS

MODEL NUMBERS:

F22-2M-ADS-MLR

F22-2M-SN-MLR MIL SPEC

F25-2M-ADS-MLR

F25-2M-SN-MLR MIL SPEC

F30-2M-ADS-MLR

F30-2M-SN-MLR MIL SPEC

DIMENSIONAL DATA

	F22-2M-ADS-MLR (SN)	F25-2M-ADS-MLR (SN)	F30-2M-ADS-MLR (SN)
Net Capacity (cu ft / ltr)	20 / 566	28 / 793	33 / 935
Width Overall (in / mm)	36 / 914	48 / 1219	48 / 1219
Depth Overall (in / mm)	29 / 738	29 / 738	33 / 840
Height Overall (in / mm)	72 / 1829	72 / 1829	72 / 1829
Interior Width (in / mm)	31 / 787	43 / 1092	43 / 1092
Interior Depth (in / mm)	22.5 / 572	22.5 / 572	26.5 / 673
Interior Height (in / mm)	50.25 / 1276	50.25 / 1276	50.25 / 1276
Depth Over Body (in / mm)	26 / 660	26 / 660	30 / 762
OA Depth with Door Open 90° (in / mm)	42 / 1067	49 / 1245	53 / 1346
Clear Door Width (in / mm)	13 / 330	19 / 483	19 / 483
Clear Half-Door Height (in / mm)
Clear Full Door Height (in / mm)	48.25 / 1226	48.25 / 1226	48.25 / 1226
Number of Doors	2	2	2
Number of Shelves	6	6	6
Shelf Area (sq ft / sq m.)	19 / 2	26 / 2	31 / 3
Weight (lbs / kg)	472 / 214	499 / 227	570 / 259

ELECTRICAL DATA

Voltage	115	115	115
Total Amperes	8	10.7	10.9
Defrost Amperes (Freezer)	4.3	6.1	6.1

REFRIGERATION DATA

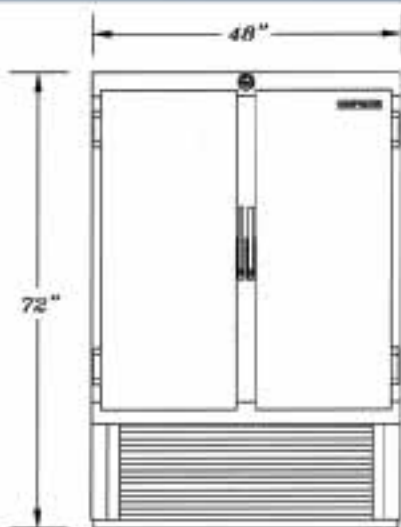
Compressor H.P.	1/3	1/2	1/2
BTU / HR - KCAL / HR	1800 / 454	2300 / 580	2300 / 580

SHIPPING DATA

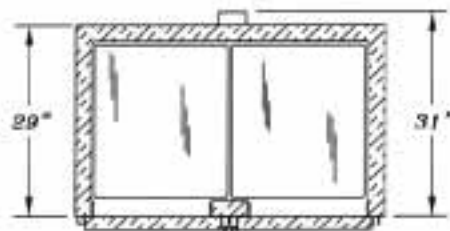
Width-Crated (in / mm)	38 / 965	50 / 1270	50 / 1270
Depth-Crated (in / mm)	30 / 762	30 / 762	36 / 914
Height-Crated (in / mm)	76 / 1930	76 / 1930	76 / 1930
Weight-Crated (lbs / kg)	495 / 225	523 / 237	599 / 272
Volume-Crated (cu ft / ltr)	50 / 1416	66 / 1869	79 / 2237

MODEL SHOWN
F30-2M-ADS-MLR (SN)

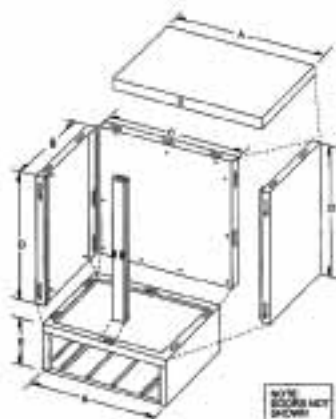
Naval Shipboard Models Available.



ELEVATION



HORIZONTAL SECTION



	F22	F25	F30
"A"	36	48	48
"B"	25	25	29
"C"	22	41	41
"D"	48.5	48.5	48.5
"E"	20	20	20

NOTE:
DOORS NOT
SHOWN

COSPOLICH

www.cospolich.com

Post Office Box 1206 • Destrehan, Louisiana 70047

Toll Free: 800-423-7761 • Local: 985-725-0222 • FAX: 985-725-1564