

COSPOLICH

2M
SERIES

MODEL NUMBERS:

R6F3-2M-ADS-MLR

R6F3-2M-SN-MLR MIL SPEC

R10F10-2M-ADS-MLR

R10F10-2M-SN-MLR MIL SPEC

CABINET CONSTRUCTION

Exterior and interior of all standard cabinets, including front, sides, doors and louvered grill are constructed of heavy gauge, type 304 stainless steel.

Special attention was taken in engineering the doors of the Cospolich cabinet. The door unit was designed to withstand the continuous use and abuse that is common in all food service applications.

Resilient vinyl gaskets which are pre-formed in frames with welded corners, greatly inhibit bacterial growth and are easily replaceable.

Heater wires, which are concealed under the thermal breaker strip around the door perimeter, prevents condensation. Interior lighting, a standard item in all refrigerator compartments, is activated by the door opening.

INSTALLATION

As an aid to installation, a foundation for securing the cabinet to the deck is an available option. Installation instructions and a manual are furnished with the unit.

HARDWARE

Positive latches with magnetic back-up are included on all standard cabinets to assure positive latching and sealing. Incorporated into the latch is a replaceable, keyed cylinder lock.

Heavy duty, adjustable, chrome plated hinges are provided on all standard cabinets. Also available, at no extra cost, are 180 degrees self-closing, cam-lift hinges with stay-open feature at 93 degrees.

Cabinet body and doors are insulated with foamed-in-place polyurethane foam, providing for excellent rigidity and the best insulating properties in the industry.

REFRIGERATION SYSTEM

All components of the refrigeration system, with the exception of the evaporator, are bottom mounted on a heavy duty base frame behind a louvered grill which is easily removable without the use of tools. The condensing unit is mounted on a slide out rail for ease in cleaning and servicing.

All evaporator coils are copper tube, and all AC voltage models have forced-air ventilation. The refrigerant flow is monitored by an expansion valve for effective cooling. A condensate evaporator is provided, thus eliminating the need for additional plumbing.

Designed for easy installation where passage ways or other obstructions prohibit the use of conventional units.



R10F10-2M-ADS-MLR

Temperature of the cabinet is factory adjusted, and the controls, along with off/on switch are located in the condensing unit area. Defrost cycles on specified low-temperature cabinets (ADS models) prevent the need for manual defrosting.

SHELVING

Standard interior shelving consists of heavy-duty epoxy-coated steel wire with front rail. Each shelf is adjustable in one-inch increments. Stainless steel shelving and brackets are also available.

SERVICE AID

An optional service kit, including spare parts and installation instructions, is available for each model.

U.L. and U.S.P.H.

This equipment is listed by Underwriters Laboratories, Inc. for safety and sanitation and is built according to standards as set forth by the U.S. Public Health Service.

THIS UNIT AVAILABLE IN OUR STANDARD CONSTRUCTION

FEATURES

- Stainless steel interior and exterior (exposed)
- Oversized refrigeration system
- Anti-condensate door heaters
- Heavy-duty chrome-plated hardware
- Automatic activated interior lighting (in refrigerator comp.)
- Door with adjustable alignment
- Epoxy coated adjustable shelving with front rail
- Removable grill
- Polyurethane insulation
- Slide-out condensing unit
- Resilient gaskets
- Exterior dial thermometer
- Condensate Evaporator Pan



SANITATION



OPTIONS

Same options available as offered on the standard construction.

THE MODULAR CONCEPT

This series of modular refrigerators was engineered and constructed to solve the problem of replacing existing failed equipment. Unique to the industry these units, which comprise a series of interlocking components, brought new meaning to the term "hatchable" equipment. This innovative design allows for equipment upgrades without having to cut access ways in decks and bulkheads to modify passage ways.

www.cospolich.com

Quality & Innovation Since 1937

MODULAR REFRIGERATOR / FREEZERS

REFRIGERATOR

MODULAR REFRIGERATOR / FREEZERS

MODEL NUMBERS:
 R6F3-2M-ADS-MLR
 R6F3-2M-SN-MLR MIL SPEC
 R10F10-2M-ADS-MLR
 R10F10-2M-SN-MLR MIL SPEC

DIMENSIONAL DATA

	R6F3-2M-ADS-MLR (SN)	R10F10-2M-ADS-MLR (SN)
Refrigerator Net Capacity (cu ft / ltr)	6 / 170	10 / 283
Freezer Net Capacity (cu ft / ltr)	4 / 113	10 / 283
Width Overall (in / mm)	30 / 762	32 / 813
Depth Overall (in / mm)	26 / 660	33 / 838
Height Overall (in / mm)	58 / 1473	72 / 1829
Refrigerator Interior Width (in / mm)	25 / 635	27 / 686
Refrigerator Interior Depth (in / mm)	19.5 / 495	26.5 / 673
Refrigerator Interior Height (in / mm)	21.25 / 540	23.875 / 606
Freezer Interior Width (in / mm)	25 / 635	27 / 686
Freezer Interior Depth (in / mm)	19.5 / 495	26.5 / 673
Freezer Interior Height (in / mm)	14 / 356	23.875 / 606
Depth Over Body (in / mm)	24 / 610	31 / 787
OA Depth with Door Open 90° (in / mm)	53 / 1346	62 / 1575
Refrigerator Clear Door Width (in / mm)	25 / 635	27 / 686
Freezer Clear Door Width (in / mm)	20 / 508	21.875 / 556
Refrigerator Clear Door Height (in / mm)	12.5 / 324	21.875 / 556
Freezer Clear Door Height (in / mm)	48.25 / 1226	48.25 / 1226
Number of Doors	2	2
Refrigerator Number of Shelves	1	2
Freezer Number of Shelves	----	2
Refrigerator Shelf Area (sq ft / sq m.)	7 / 1	15 / 1
Freezer Shelf Area (sq ft / sq m.)	3 / .28	15 / 1
Weight (lbs / kg)	358 / 163	522 / 237

ELECTRICAL DATA

Voltage	115	115
Total Amperes	5	11.3

REFRIGERATION DATA

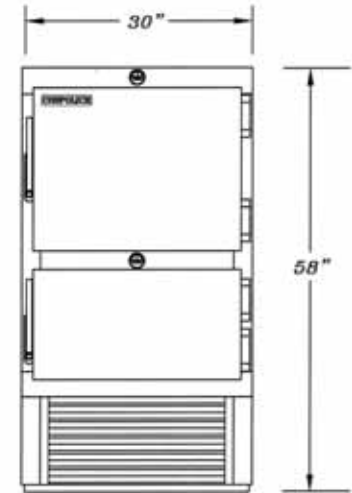
Refrigerator Compressor H.P.	1/4	1/2
Freezer Compressor H.P.	----	----
Refrigerator BTU / HR - KCAL / HR	----	1000 / 252
Freezer BTU / HR - KCAL / HR	1480 / 373	900 / 227

SHIPPING DATA

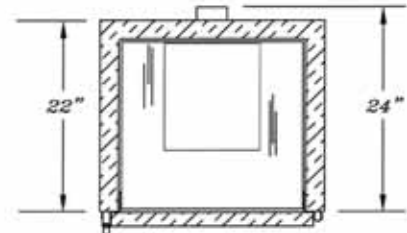
Width-Crated (in / mm)	32 / 813	34 / 864
Depth-Crated (in / mm)	30 / 762	37 / 940
Height-Crated (in / mm)	62 / 1575	76 / 1930
Weight-Crated (lbs / kg)	446 / 203	650 / 295
Volume-Crated (cu ft / ltr)	34 / 963	55 / 1557

MODEL SHOWN:
R6F3-2M-ADS-MLR (SN)

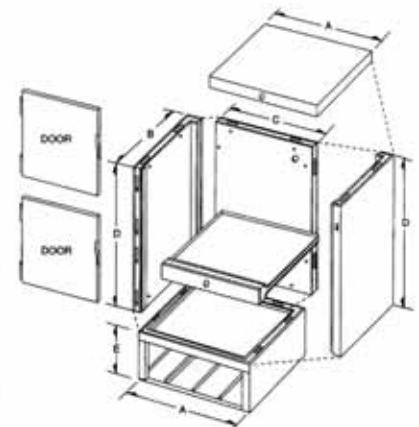
Naval Shipboard Models Available.



ELEVATION



HORIZONTAL SECTION



	R6F3	R10F10
A	30	32
B	21	29
C	23	25
D	38	52
E	16.5	16.5

COSPOLICH

www.cospolich.com

Post Office Box 1206 • Destrehan, Louisiana 70047

Toll Free: 800-423-7761 • Local: 985-725-0222 • FAX: 985-725-1564