

COSPOLICH

WALK-IN COOLER DOORS

WALK-IN FREEZER DOORS

CONSTRUCTION

Typical of all Cospolich Shipboard Cold Storage Doors is the stainless steel finish, which covers all exposed areas. The corrosion resistance and durability of stainless steel (type 304) provides the ultimate with regards door life.

The inner structure of the door is enhanced through the use of steel, wood, and insulation. These are all bonded together resulting in a structurally sound and integral unit. The frame is constructed of pressure treated lumber, and includes a full perimeter exterior casing and jamb. The stainless steel cladding is affixed to the casing providing an appealing and long lasting finish.

All Cospolich doors are filled with polyurethane foam, with a K value of 0.17. Greater insulating values may be achieved by increasing the door thickness (optional).

Full perimeter gasketing provides the best seal and virtually eliminates cold air escaping. The gasket is resilient and durable. On doors which do not have a sill, a sweep gasket is used.

On freezer applications heaters are standardly used on four sides of the frame to eliminate condensation and ice build up. The standard heater voltage is 120 volt (other voltages available). Where heaters cannot be used, a special frame design is used, in lieu of the heaters (optional).



Standard Commercial Marine

HARDWARE

The hardware system features a positive latch with an interior safety release. A lock can be applied to the latch for security. Hinges are chrome plated with extending straps for support. All fasteners used are stainless steel for greatest corrosion resistance.

INSTALLATION

The installation of a Cospolich Shipboard Door Assembly is made easy by the design and construction methods used. The door is affixed to the frame when shipped. With this the installer need only be concerned that the door assembly is hung plumb and secured properly to the cooler wall or bulkhead.

FEATURES

- Available in any size
- Stainless steel finish
- Frame Heat
- Polyurethane foam

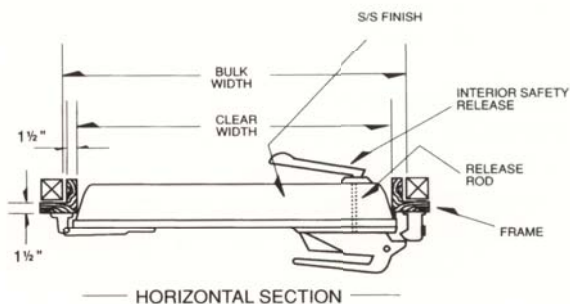
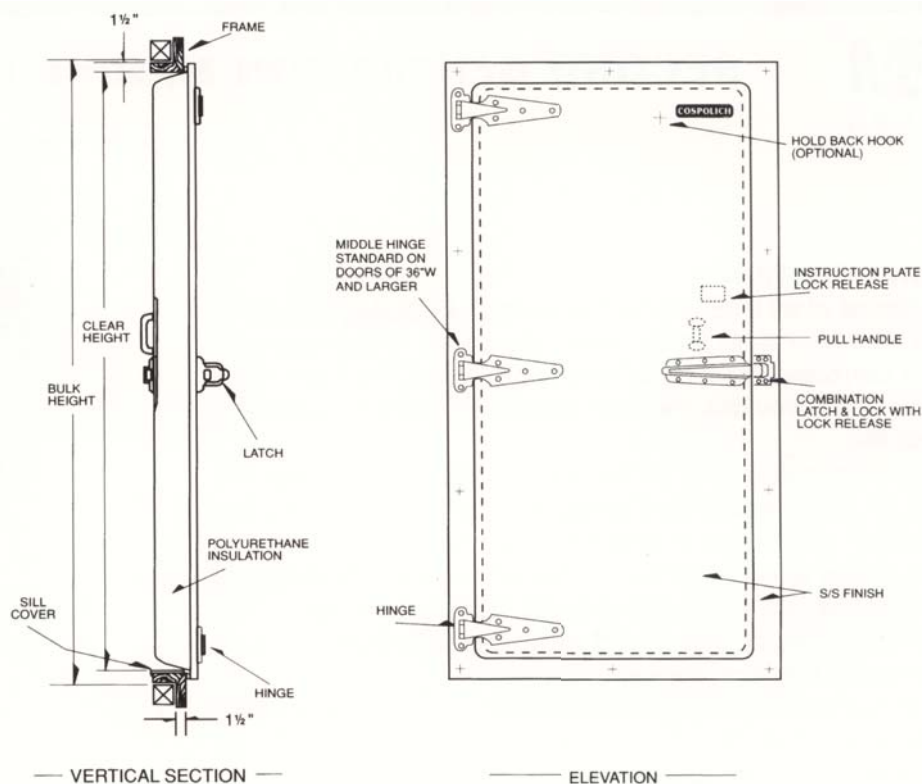
OPTIONS

- 6" insulation
- Without sills
- Interior casing
- Specific jamb
- Galvanized or aluminum finish
- "Tonnage" sections
- Hold back hooks
- Peep windows
- Mil Spec

www.cospolich.com

Quality & Innovation Since 1937

WALK-IN COOLER & FREEZER DOORS



Ordering Information

- Bulk Opening
- Clear Opening
- Exterior Finish
- Door Swing
- Temperature of Interior
- Temperature of Exterior
- With or Without Sill

Contact our engineers or your Cospolich Representative for recommendations on your application.



Naval Shipboard Models Available.



www.cospolich.com

Post Office Box 1206 • Destrehan, Louisiana 70047

Toll Free: 800-423-7761 • Local: 985-725-0222 • FAX: 985-725-1564