

# Technical Manual

Installation, Operation, and  
Maintenance Instructions

Modular Undercounter Refrigerator  
UCR20-2M-SNM-MLR

Cospolich Refrigerator Company, Inc.  
Norco, LA 70079  
800-423-7761



[www.Cospolich.com](http://www.Cospolich.com)

## Table of Contents

	<u>Page</u>
List of Figures	i
List of Tables	ii
List of Appendices	iii
Chapter 1 – General Information	1-1
1.1 Introduction	1-1
1.2 Scope	1-1
1.3 Equipment Description	1-1
1.4 Equipment Supplied	1-1
Chapter 2 – Operation	2-1
2.1 Introduction	2-1
2.2 Controls and Indicators	2-1
2.3 Start-up Procedures	2-1
2.4 Shutdown Procedures	2-3
2.5 Preparation for Extended Period of Inactivity	2-3
Chapter 3 – Functional Description	3-1
3.1 System Description	3-1
3.2 System Operation	3-1
3.3 Operating Procedure	3-2
Chapter 4 – Scheduled Maintenance	4-1
4.1 Introduction	4-1
4.2 Preventive Maintenance Action Index	4-1
4.3 Preparation for Maintenance	4-1
4.4 Maintenance Procedures	4-1
4.4.1 Weekly Maintenance Requirements	4-1
4.4.2 Monthly Maintenance Requirements	4-2
4.4.3 Annual Maintenance Requirements	4-3
4.4.4 Three Year Frequency Maintenance	4-3
Chapter 5 – Troubleshooting	5-1
Chapter 6 – Corrective Maintenance	6-1
6.1 Introduction	6-1
6.2 Repair Procedures Replacement of:	
6.2.1 Motor, Compressor	6-1
6.2.2 Low Pressure Control	6-4
6.2.3 Thermal Expansion Valve	6-5

6.2.4	Filter Dryer	6-5
6.2.5	Motor, Condenser Fan	6-5
6.2.6	Condenser Fan	6-5
6.2.7	Anti-Condensate Heater	6-6
6.2.8	Door Handle	6-6
6.2.9	Door Hinge	6-6
6.2.10	Door Gasket	6-7
6.2.11	Power Switch	6-7
6.2.12	Cold Well Switch	6-7
6.2.13	Drain Line (forced air evaporator)	6-8
6.2.14	Shelf Standards	6-8
6.2.15	Lamp Socket*	6-8
6.2.16	Lamp Shield*	6-8
6.2.17	Light Switch*	6-9
6.3	Charging the Refrigeration System	6-9
6.4	Recalibrating the Thermometer	6-10
Chapter 7 – Parts List		7-1
7.1	Introduction	7-1
7.2	Source Codes	7-1
Chapter 8 – Installation		8-1
8.1	Unpacking	8-1
8.2	Installation	8-1
Chapter 9 – Electrical and Mechanical		9-1
9.1	Introduction	9-1
9.2	Electrical Abbreviations and Abbreviations	9-1
Chapter 10 – Warranty		10-1
Appendices		A-1

---

\* For refrigerators only unless otherwise noted.

## List of Figures

<u>Figure - Title</u>	<u>Page</u>
Figure 1.1 - General Arrangement Drawing	1-3
Figure 4.1 - Thermometer Calibration	4-4
Figure 9.1 - Electrical Schematic	9-3
Figure 9.2 - Refrigeration Piping Schematic	9-4

## List of Tables

<u>Table - Title</u>	<u>Page</u>
Table 1.1 - Leading Particulars	1-2
Table 2.1 - Controls and Indicators	2-1
Table 2.2 - Start-up Procedure – Refrigerated Storage	2-2
Table 2.3 - Operation of Cold Well (CFC)	2-2
Table 2.4 – Operation of Thaw Cabinet	2-2
Table 2.5 - Shutdown Procedures	2-3
Table 2.6 - Shutdown Procedures for an Extended Period	2-4
Table 4.1 - Preventive Maintenance	4-5
Table 5.1 - Mechanical and Electrical Troubleshooting Guide	5-1
Table 5.2 - Operator's Troubleshooting Guide	5-2
Table 7.1 - Vendor Source Codes	7-1
Table 7.2 - Parts List – Special Tools	7-2
Table 7.3 - Parts List	7-3
Table 7.4 – Recommended Spare Parts List	7-4
Table 9.1 - Operating Pressure Readings	9-2

## List of Appendices

<u>Title</u>	<u>Page</u>
Appendix A – Assembly and Installation Instructions for Modular Units <sup>1</sup>	A-1
Appendix B – High/Low Temperature Alarm Manual <sup>2</sup>	B-1

---

<sup>1</sup> For Modular units only  
<sup>2</sup> Where applicable

# Chapter 1

## General Information

### 1.1 Introduction

This technical manual provides information for the installation, operation, maintenance, and inspection of this unit manufactured by Cospolich, Inc., Norco, Louisiana. A complete parts breakdown is also provided.

### 1.2 Scope of the Manual

This manual provides sufficient information for maintenance of the equipment.

### 1.3 Equipment Description

The unit consists of the following parts:

- a. Storage compartment – The insulated food storage compartment is clear storage area. Included in this area are the adjustable shelves, an interior light (for refrigerators), and the cooling coil.
- b. Doors – Access to the storage compartment is through a hinge-mounted, insulated door(s). The door is fully “gasketed” to provide a tight seal.
- c. Condensing Unit Compartment – This area contains the condensing unit(s) along with the necessary controls and other components.
- d. Evaporator Coil – The evaporator coil is located in the storage compartment and is responsible for distributing the cold air associated with the refrigeration system.
- e. Cabinet – The cabinet is the enclosure in which all of the above mentioned items are housed.

### 1.4 Equipment Supplied

The unit is shipped from the factory fully assembled except for the adjustable shelving that will require positioning on the pilaster standards as needed. The complete assembly is palletized and crated to minimize the possibility of damage

in shipping and storage. See Appendix A for assembly and installation instructions for Modular units.

Table 1.1 – Leading Particulars
---------------------------------

<i>Manufacturer:</i>	Cospolich, Inc. Norco, Louisiana 70079
<i>Type:</i>	Marine Refrigeration Unit
<i>Model Number:</i>	UCR20-2M-SNM-MLR
<i>Refrigerant:</i>	R404A
<i>Purpose:</i>	Storage of Chilled Food Items
<i>Power Supply:</i>	115 Volts AC
<i>Operating Current:</i>	7 Amps
<i>Maximum Power Demand:</i>	15 Amps
<i>Drain Requirements:</i>	None
<i>Shipping Weight:</i>	507 lbs.
<i>Operating Weight:</i>	483 lbs.
<i>Volume (crated):</i>	48 cu. Ft.



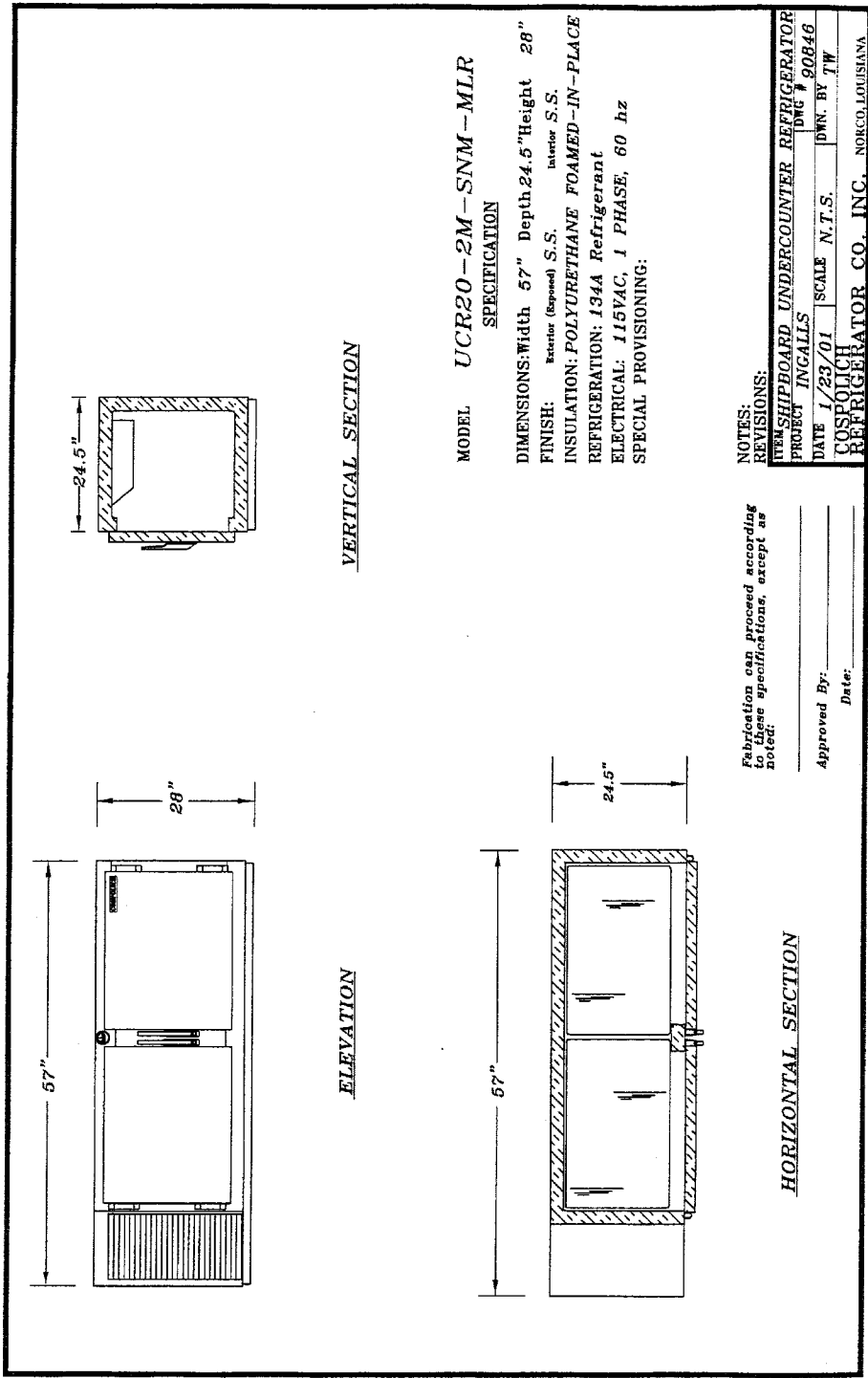


Figure 1.1 – General Arrangement Drawing

# Chapter 2

## Operation

### 2.1 Introduction

This model is a heavy-duty piece of equipment designed for continuous use. It incorporates automatic controls to regulate the cycling of the refrigeration system.

### 2.2 Controls and Indicators

Table 2.1 – Controls and Indicators

<u>Name</u>	<u>Type</u>	<u>Function</u>
Low Pressure Switch	Contact Points	Cycles the refrigerator system (automatic)
Suction Valve	Manual Plunger Valve	Isolate suction at the compressor
Discharge Valve	Manual Plunger Valve	Isolate discharge line at receiver
Power Control Switch (On/Off)	Contact Points	Terminates all of the electrical into and past the supply cord
Light Switch <sup>1,3</sup>	Contact Points	Activates the interior lighting with the opening of the cabinet door
Thermostat	Contact Points	Cycles the refrigerator system (automatic)
Defrost Timer <sup>2</sup>	Contact Points	Controls scheduled evaporator coil defrosting
Evaporator Pressure Regulator <sup>3</sup>	Needle Valve	Regulates the flow of refrigerant
Solenoid Valve <sup>1,3</sup>	Automatic Plunger	Shuts off refrigerant flow
Thaw Switch <sup>4</sup>	Contact Points	Switches the function from refrigerate to thaw
Well Switch <sup>3</sup>	Contact Points	Activates the solenoid to bring the cold well on line

<sup>1</sup> Refrigerators

<sup>2</sup> Freezers

<sup>3</sup> Cold Food Counters

<sup>4</sup> Thaw Cabinets

### 2.3 Start-up Procedure

The refrigeration system is completely factory assembled, pre-charged, and ready for operation. To energize the system it is only necessary to find the power supply cord and connect it to a proper electrical source. Once the supply cord has been connected to a power source, the unit can be started by flipping the power control switch to the "ON" position.

Table 2.2 – Start-up Procedure (Refrigerated Storage)

<u>Operation</u>	<u>Results</u>
1. Activate system by inserting electrical service cord into electrical supply source and flip power control switch.	Compressor should immediately come on line along with the condenser fan and the evaporator fan.
2. Locate liquid refrigerant indication glass mounted on the receiver.	Once the system has been operating for two minutes, the glass should appear clear and full of liquid refrigerant.
3. Wait 15 minutes	The temperature in the storage area should begin to approach the "green zone" on the thermometer indicating adequate operation.
4. Wait 3 hours	Once the operating temperature has been reached, stocking of the containment area can begin.

Table 2.3 – Operation of Cold Well <sup>1</sup>

<u>Operation</u>	<u>Results</u>
1. Locate cold well switch	Mounted above refrigeration equipment compartment in the grill
2. With refrigeration system running, flip switch to "ON"	After some time, ice will begin to form on the bottom and sides of the cold well.
3. Turn cold well switch to "OFF"	The ice will gradually melt.

<sup>1</sup> For Cold Food Counters (CFC) only

Table 2.4 – Operation of Thaw Cabinet <sup>2</sup>

<u>Operation</u>	<u>Results</u>
1. To use the unit as a refrigerator, turn the control knob to "REF".	Unit will operate in the refrigerate mode.
2. To use the unit as a thaw cabinet, turn the control knob to "THAW".	Unit will operate as a thaw cabinet.

<sup>2</sup> For Thaw Cabinets only

Table 2.5 – Shut Down Procedures

<u>Operation</u>	<u>Results</u>
1. De-energize the system by flipping the power control switch to the “OFF” position and disconnecting the electrical supply cord.	Once the system is de-energized, the condenser fan and the evaporator fan will cease operation.

**2.4 Shut-Down Procedure**

To shut down, disconnect the electrical supply cord and open the door(s) allowing the interior cabinet temperature to equalize with the room temperature. A mild detergent diluted in warm water should be used to wash down the interior and exterior surfaces of the cabinet.

**WARNING:**

*Prior to any cleaning of the system involving placing hands in areas with moving parts, the system should be deactivated by disconnecting the power supply cord.*

**2.5 Preparation for an Extended Period of Inactivity**

This unit is designed for continued use at automatically cycled intervals. However, in the event of an extended shut down, both the mechanical refrigeration system and the food storage compartment system must be serviced.

Table 2.6 – Shut Down Procedures for an Extended Period

<u>Operation</u>	<u>Results</u>
1. Fully close discharge valve at the receiver	Compressor will pump liquid refrigerant from system to receiver
2. Fully close suction valve at the compressor	This will isolate the refrigerant between the two valves
3. Disconnect power supply	De-energizes the system
4. Clean and wipe dry the food storage compartment	This will reduce the odor buildup during shut down

# Chapter 3

## Functional Description

### 3.1 System Description

This unit is a self contained, automatically controlled, continuous duty perishable food storage system. It is designed with the intent and purpose of storing food items.

The operating temperature is automatically monitored by controls that are factory set to maintain a predetermined adequate condition.

The equipment is installed in two basic compartment assemblies. They are:

- a. *Condensing Unit Compartment* – This area contains the condensing unit along with the necessary controls.
- b. *Storage Compartment* – This insulated food storage area is clear storage area. Included in this compartment is the adjustable shelving.
- c. *Cold Food Well*<sup>1</sup> – The insulated and refrigerated compartment is designed to accommodate standard cold food pans on the top side of the counter.

### 3.2 System Operation

The design of the refrigerated cabinet focuses primarily on the safe storage of food products requiring refrigeration. In engineering, considerable attention was placed on its functional and its serviceable capabilities.

The refrigeration system is a closed loop system. Barring a leak in the system, the addition of refrigerant is not required. However, a periodic check of its level is recommended to insure that the system operates at the optimum level at which it was designed.

The condensing unit is found within the regular equipment compartment. Also in this compartment is the electrical control panel that contains the power switch and a terminal box. On all models that feature forced air evaporators, a heated condensation evaporator pan or a heated condensing unit base is provided. The evaporator pan is also located in the equipment compartment. On remote applications, the evaporator pan is optional.

---

<sup>1</sup> Cold Food Counters

Special care in the initial loading of the storage compartment should be taken. It is suggested that the loading be scheduled in three equal portions allowing three hours between each loading.

The chilled food compartment is designed for the storage of perishable food items that require a temperature range of 37 to 40 degrees Fahrenheit on refrigerators and -5 to 0 degrees Fahrenheit on freezers. It is a general rule that adequate spacing is allowed between stored items to allow for proper air circulation. The well surface of a Cold Food Counter is designed to operate at 32 degrees Fahrenheit. The storage compartment of a Thaw Cabinet is in the range of 33 to 42 degrees Fahrenheit.

# Chapter 4

## Scheduled Maintenance

### 4.1 Introduction

To ensure the longest and most trouble free operation of the unit, a thorough maintenance schedule is required to be adhered to periodically. The maintenance system should be designed to maximize the efficient use of maintenance personnel, reduce down time, and provide the orderly acquisition of spare parts support.

The Cospolich refrigeration cabinet will generally be in operation in a facility where scheduled maintenance is performed according to Maintenance Index Plans. Your unit is no exception to required maintenance. This chapter of the manual is intended as an alternative to any standard maintenance program that may pre-exist. The preventive maintenance schedule is based upon similar maintenance requirements for commercial refrigeration equipment.

### 4.2 Preventive Maintenance Action Index

If you do not have a Maintenance Index Plan, one is included for you in Table 4.1.

### 4.3 Preparation for Maintenance

Since many areas affected by the maintenance schedule are electrically supplied, it is recommended that the system be de-energized prior to making the inspections.

### 4.4 Maintenance

#### 4.4.1 Weekly Inspection

- a. The unit should first be de-energized by switching the toggle switch to the "OFF" position. The switch is found on the control panel in the condensing unit compartment.

**\*Note:** It is necessary to first remove the front air grill. This is done by lifting it straight up then pulling the bottom out and down.



- b. Using a vacuum or small hand broom, brush the condenser in a vertical motion to remove any dust or debris that may have accumulated.

#### **4.4.2 Monthly Inspection**

- a. Check the drain line at both the inlet and outlet ends to make certain that there are no obstructions (forced air evaporator models only). It is not recommended to use any chemicals in clearing a clogged drain. The preferred method of unstopping an obstructed drain is to use compressed air. Approximately 60 lbs. should be sufficient. Simply remove the drain line at the evaporator coil and attach an air-line to it.
- b. With the unit in a cooling cycle, use a flashlight and locate the refrigerant sight glass. If the compressor has been running for three minutes there should be no visible bubbles.
- c. If bubbles are present:
  - i. Determine if there is a leak by using a halide or electronic leak detector.
  - ii. Repair leak(s).

#### **WARNING:**

*The system should be de-energized when checking for leaks.*

1. If a leak is found on a flared fitting, it can often be repaired by simply tightening the brass flare nut  $\frac{1}{4}$  of a turn. If tightening does not repair the leak, it may be necessary to reflare the tubing.
2. If a leak is found on a brazed joint, it will be necessary to pump down the system's refrigerant charge to remedy the problem.
3. To pump the refrigerant into the receiver, you must first connect service gauges to the system at the suction valve on the compressor and the liquid valve on the receiver. Purge the gauges before opening the system's valves to avoid contamination. Run the receiver (liquid or high pressure) valve all of the way in to stop the refrigerant from exiting the receiver. Start the unit and allow it to run until the suction or low-pressure gauge reads 5 lbs. When it reaches 5 lbs., de-energize the system.
4. Once pumped down, the necessary repairs can be made.

- d. Using a mild non-abrasive detergent and soft cloth, wipe the interior lining beginning with the top and working down. Also, wipe the gasket and where it sits on the cabinet exterior.
- e. Remove the front air grill and unbolt the condensing unit. Once unbolted, slide it out. The unit is capable of being completely removed due to the extra tubing coiled up behind the unit. With the unit de-energized, check the condenser fan motor and make certain that it is not loose. Inspect the fan for cracks and make sure that it is tight on the motor.
- f. To inspect the evaporator motor, first turn the unit off. Then, remove the drain line from the evaporator pan. Loosen the four screws that hold the shroud. Lower the shroud and disconnect the polarized electrical connection. With the shroud out of the cabinet, proceed to inspect the motor mounting bolts and the fan for cracks or excessive play.<sup>2</sup>
- g. Using a mild detergent and water, wipe the vinyl gasket. Make certain to also clean under the gasket to remove any mildew or residue.
- h. Using a mild, non-abrasive detergent and warm water, wipe the cabinet exterior. When cleaning always follow the grain of the stainless steel to prevent scratching or marring of the finish surface.

#### **4.4.3 Annual Maintenance**

- a. Slide condensing unit out of the compartment and check all refrigerant lines for leaks or fatigue. Make certain that no exposed copper tubing is in contact with any other metal surface. If there is contact, install an insulating material between the two metal components.
- b. With the condensing unit out and the breaker at the main panel “OFF”, inspect the system’s wiring. Look for a tight fit of all connections and make certain that the wire restraining devices are tight. Inspect all wires and cords, paying particular attention to nicks or age cracks in the insulation.
- c. Visually inspect the outer panel and components of the cabinet. Check screws and bolts to make certain that they are tight. Also, make sure that the bolts that secure the base frame to the deck are tight.

#### **4.4.4 Three Year Frequency**

---

<sup>2</sup> On forced air evaporator systems only.

- a. Replace the door gasket(s). To accomplish this, it is first necessary to remove all products from the refrigerated compartment to avoid spoilage. Take the door off of the cabinet and lay it on a flat surface – gasket up. Lift the flange of the gasket and remove the fasteners that secure the gasket to the door. Remove the original gasket and replace with a new one by reversing the process.
- b. Inspect all motors and shafts for both noise and wear. If they show age, replace them.
- c. With the main power off, remove the condensing unit from its compartment and inspect all wiring. Also, remove the cover from the controls and check them to make certain that they are operational and do not show signs of wear.
- d. Inspect the operation of the door latch assembly. Look into the latch to make certain that the moving parts do not show any signs of wear. Make sure that the screws are tight on the latch and strike. To check the hinges, open the door at a 90-degree angle to the cabinet. With a little pressure, lift up the outer edge of the door. If there is an upward movement of  $\frac{1}{2}$  of an inch or more, replace the hinges.
- e. To recalibrate the thermometer, remove it from the cabinet. Using a small, flat screwdriver, remove the lens. Prepare an ice water bath and immerse the thermometer bulb at least two inches into the ice bath. Within 30 seconds the indicator dial should read 32 degrees Fahrenheit. If it does not, it needs to be recalibrated. Do this by placing your index finger on the opposite side of the needle that needs to move. Then, using a flat screwdriver, turn the screw at the center of the dial  $\frac{1}{4}$  of a turn in the direction you want to move the dial. Repeat the procedure until the needle is on 32 degrees. See Figure 4-1 below for an illustration.

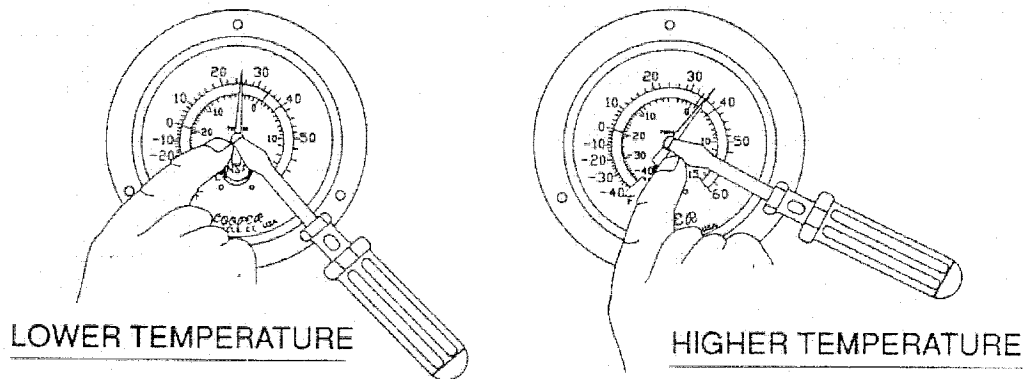


Figure 4.1 – Thermometer Calibration

Table 4.1 – Preventative Maintenance Action Index

1.	Weekly	<ul style="list-style-type: none"> <li>a. Inspect condenser coil<sup>1</sup> to make certain that air flow is not hampered and that it is clear of dust and debris.</li> </ul>
2.	Monthly	<ul style="list-style-type: none"> <li>a. Inspect and clear drain line.</li> <li>b. Check the liquid refrigerant sight glass<sup>1</sup> to make certain that the system is completely charged.</li> <li>c. Clean the interior of the cabinet with a mild soap and warm water solution. Be certain to dry thoroughly.</li> <li>d. Check both the condenser fan motor<sup>1</sup> and the evaporator fan motor to make certain that they are operational and that the fans are tight and secure (evaporator motor on ADS models and forced air evaporator units only).</li> <li>e. Clean door gaskets and breaker strips with a damp cloth.</li> <li>f. Clean exterior of cabinet with mild soap and warm water. Dry thoroughly.</li> </ul>
3.	Annually	<ul style="list-style-type: none"> <li>a. Slide condensing unit<sup>1</sup> from the refrigeration compartment and check all joints and fittings for any signs of leaks or fatigue.</li> <li>b. Inspect electrical connections to confirm that there is good contact and that wires are neither weakened nor frayed.</li> <li>c. Check the integrity of the cabinet.</li> </ul>
4.	Three-year Frequency	<ul style="list-style-type: none"> <li>a. Replace door gasket(s).</li> <li>b. Inspect motor shafts<sup>1</sup> for noise or wear.</li> <li>c. Inspect electrical controls and wiring.</li> <li>d. Inspect door latch(s) and hinges.</li> <li>e. Recalibrate thermometer.</li> </ul>

<sup>1</sup> Applicable on units with condensing unit included.

Table 4.2 – Cleaning

**NOTE:** It is highly recommended that the unit be turned off and disconnected from power prior to all cleaning.

Detail	Solution	Frequency
Spills - Clean all spills promptly to avoid staining and odors.	Warm, soapy water	Immediately
Cabinet - Remove all contents. Wipe cabinet interior, exterior, and doors (drawers) with solution.	1-2 tablespoons of baking soda per 1 quart of warm water	Weekly
Gasket(s) - Clean gasket(s) thoroughly with solution. Clean sealing surface and the surface behind the flap.	1-2 tablespoons of baking soda per 1 quart of warm water	Weekly
*Drawers - Remove drawer assembly from cabinet. Clean thoroughly.	1-2 tablespoons of baking soda per 1 quart of warm water OR hot water at high pressure	Monthly
Condenser coils - Brush coils in direction of fins. Vacuum dust and debris from fins.	Coil brush, vacuum	Monthly
Fan blades - Wipe evaporator and condensing unit fan blades clean.	Warm water	Monthly
Drain lines - Clean all drain lines (evaporator, cabinet).	Warm water and bleach	Monthly

\*Applicable only on cabinets equipped with drawer assemblies.

# Chapter 5

## Troubleshooting

### 5.1 Introduction

This chapter provides a systematic check of components in determining a possible cause of failure in the event of various symptoms.

It is necessary that the individual performing the troubleshooting tasks be familiar with the function of the equipment as described in Chapter 3.

The following tables list the most common symptoms that may be experienced and the recommended corrective action.

Table 5.1 – Mechanical and Electrical Troubleshooting Guide

<u>Symptom</u>	<u>Possible Failure</u>	<u>Remedy</u>
Unit does not operate	<ol style="list-style-type: none"> <li>Control failure</li> <li>Incorrect voltage</li> <li>Failed compressor</li> </ol>	<ol style="list-style-type: none"> <li>Adjust or replace control</li> <li>Correct</li> <li>Replace</li> </ol>
Unit runs continuously	<ol style="list-style-type: none"> <li>Control failure</li> <li>Bad connection at TXV</li> <li>Restricted air flow or dirty</li> <li>Bad condenser fan motor</li> <li>TXV stuck open</li> <li>Ineffective door seal</li> <li>Restricted circulation in storage compartment</li> </ol>	<ol style="list-style-type: none"> <li>Adjust or replace control</li> <li>Check and secure sensor bulb to suction line</li> <li>Rectify air flow problem and clean condenser</li> <li>Check and replace if necessary</li> <li>Replace</li> <li>Adjust door strike and hinges</li> <li>Redistribute food for even air flow</li> </ol>
Low head pressure	<ol style="list-style-type: none"> <li>Defective compressor</li> <li>Low refrigerant</li> <li>Ambient temperature too low</li> </ol>	<ol style="list-style-type: none"> <li>Replace</li> <li>Leak check system and recharge</li> <li>Raise room temperature</li> </ol>
High head pressure	<ol style="list-style-type: none"> <li>Blocked or dirty condenser</li> <li>Ambient temperature too high</li> <li>System contains air</li> <li>Refrigerant overcharge</li> <li>Condenser fan motor is bad</li> </ol>	<ol style="list-style-type: none"> <li>Clean and remove any obstructions</li> <li>Lower room temperature</li> <li>Evacuate, change filter dryer, recharge</li> <li>Reduce amount of refrigerant in system</li> <li>Replace</li> </ol>
Short cycling	<ol style="list-style-type: none"> <li>Maladjusted control</li> <li>Low refrigerant</li> </ol>	<ol style="list-style-type: none"> <li>Adjust control</li> <li>Leak check and recharge</li> </ol>

Table 5.2 – Operator’s Troubleshooting Guide

<u>Symptom</u>	<u>Possible Failure</u>	<u>Remedy</u>
Unit does not cool	<ol style="list-style-type: none"> <li>1. Blown fuse/circuit breaker</li> <li>2. Bad connection at supply cord</li> <li>3. Ill fitting gasket</li> </ol>	<ol style="list-style-type: none"> <li>1. Replace fuse/reset circuit breaker</li> <li>2. Check supply cord at outlet</li> <li>3. Tighten strike on door latch</li> </ol>

# Chapter 6

## Corrective Maintenance

### 6.1 Introduction

This chapter focuses on the instruction needed in the removal and replacement of certain components. It also addresses the repair of components not listed under the scheduled maintenance index covered in Chapter 4.

The level of skills required to perform the service or repair will vary. Some may require specific training while others may be performed by any type of mechanic. It is up to the individual and his/her supervisor to determine the breadth of knowledge required to perform the necessary service or to make the necessary repairs.

It is also important to know that any procedure requiring the handling of refrigerant requires proper certification.

The service or repair items are limited to those parts listed in Table 7-3.

### 6.2 Repair Procedures

#### **WARNING:**

*Prior to performing any work on the refrigeration system, it is required that the unit be de-energized.*

#### **6.2.1 Replacement of Compressor Motor**

- a. Evacuate the refrigerant from the system using a refrigeration recovery system.

*Note: Federal laws require the proper handling and disposal of refrigerants. It is unlawful to release any refrigerant into the atmosphere.*

- b. Disconnect the electrical power to the unit. This is done by turning off the circuit in the main supply panel. It should be noted on the panel that the refrigerator (freezer) is being serviced and that the breaker must remain off.
- c. To reach the condensing unit, the ventilation grill on the front of the cabinet must be removed. This is done by pulling the grill up vertically about one inch, out over the retainer angles and then down.



- d. With the grill removed, use a 3/8" wrench or socket and ratchet to unscrew the mounting bolt that secures the condensing unit to the cabinet base.
- e. Once the mounting bolt is removed, carefully slide the whole condensing unit forward – lifting it over the angle-mounting clip at the front of the base. Due to extra copper coil refrigeration lines, the unit can be completely removed from the compartment and placed on the deck.
- f. Find the electrical terminal box on the side of the compressor and remove the front cover. Disconnect the wires from the compressor. Remove the screws that attach the terminal box to the compressor. At this point, the compressor will be electrically detached.
- g. Using wrenches, remove the suction and discharge valve stem cover caps on each side of the compressor. Also, remove the cap nut on the suction and discharge side as well.
- h. Disconnect the high-side line at the compressor. This is done by heating the brazed connection using an acetylene and oxygen torch set.

*Note: Do not apply a flame to a line containing refrigerant.*

- i. To remove the low-pressure control capillary tube and service fitting, loosen the 1/4" brass flare nut on the suction valve.
- j. The final step in removing the compressor is to disconnect it from its mounting. To free the compressor, remove the wire clips on each of the four feet.
- k. To install the new compressor, place it in position on the base and reinstall the four wire clips.
- l. Reattach the suction and discharge valve blocks to the appropriate sides of the compressor.
- m. Reattach the low-pressure control capillary tube and service fittings to the suction side of the compressor.
- n. Reattach the suction line to the compressor.
- o. In reconnecting the high-pressure line, it is necessary to first prepare the line's end. Using a fine sandpaper or emery cloth, clean the residue off of the end. Also, clean the connection on the compressor. Apply flux to both ends and braze the connections into place.

- p. Remove the valve stem cap from the suction valve block on the side of the compressor. Run the valve stem all of the way out and then in one turn clockwise.
- q. Place the refrigeration service manifold gauge hoses on the suction and high-side valves. Attach a bottle of refrigerant to the charging hose and charge the system with 150 psi of vapor. Using an electronic leak detector, check the new connections for leaks. Should a leak appear, evacuate the charge and repair the leak. Repeat the leak check process again.
- r. If the system checks out with no leaks, recover the test charge using a vacuum recovery pump.
- s. With the system pressure at zero, connect the vacuum pump and evacuate the system. The pump should run for one hour. The vacuum pump should pull the system down to 30 inches of vacuum.
- t. Reattach the electrical terminal box and secure all wiring.
- u. Check the refrigeration tag on the unit for the number of ounces of refrigerant to place into the system for start-up. Monitor the pressure on both the suction and discharge sides of the manifold gauges. As the temperature in the storage area begins to fall, check the refrigerant flow through the sight glass. The unit is fully charged when there are no bubbles in the sight glass. If after five minutes of operation, bubbles are still present, it may be necessary to add more refrigerant (add refrigerant in small amount to keep from overcharging).

**WARNING:**

*Overcharging a refrigeration system can be dangerous.*

If the system overcharge is sufficient enough to immerse the major parts of a hermetic compressor in liquid refrigerant, a situation has been created that when followed by unusual but possible circumstances, can lead to compressor housing seam separation or rupture.

The sequence of circumstances that can lead to compressor housing seam separation or rupture occurs in the following manner:

1. The system overcharge immerses the compressor motor, piston, connecting rods, cylinders, etc. in liquid refrigerant, thereby effectively forming a hydraulic block preventing the compressor from starting. This condition is known as locked rotor.
2. Electrical current continues to flow through the compressor motor windings that become, in effect, electric resistance heaters. The heat

produced begins to vaporize the excessive liquid overcharge, causing a rapid increase in system pressure.

3. If the system compressor protective devices fail for any reason prior to or during this locked rotor heating cycle or cycles, liquid refrigerant may be vaporized sufficiently fast enough to raise the pressure within the system to extremes far greater than the housing or weld seam is designed to handle.
4. In some instances where the amount of refrigerant overcharge is critical in proportion to the system internal volume, the pressure reached can cause a compressor housing seam separation or rupture that can be hazardous.

The remedy to eliminate this exceedingly rare, but potential hazard is to use correct refrigerant charge amounts and techniques.

Cospolich, Inc. urges that all individuals responsible for training, teaching, or advising installation mechanics and service personnel emphasize proper charging techniques. In addition, Cospolich advises strict adherence to refrigerant charge amounts specifically recommended by the manufacturer of the refrigeration, air conditioning, or heat pump system.

### **6.2.2 Replacement of Low Pressure Control**

- a. Disconnect the unit from electrical service.
- b. Remove control cover and disconnect electrical terminals.
- c. Disconnect capillary tube.
- d. Remove mounting fasteners on control base and install new control by reversing the procedure.
- e. To adjust the control, hook up the service gauges to the suction and discharge valves and crack them to allow the gauges to read.
- f. Using a standard screwdriver, coarse adjust the control by turning the adjustment screws on top of the control. Preset the cut-in and cutout and 68 lbs. and 38 lbs. respectively for a refrigerator and 25 lbs. and 10 lbs. respectively for a freezer.
- g. Start the system. Allow it to run for five minutes. Monitor the low side pressure. Fine adjustments will be required to achieve the prescribed cycling pressures.

*Note: Running the suction valve in or out as required to effectively change the pressures can speed up the control adjustment process.*

### **6.2.3 Replacement of Thermal Expansion Valve (TXV)**

- a. Close liquid valve and run compressor until it pumps refrigerant into the receiver (low side service gauge will read 1 lbs.). Close the suction line valve.
- b. Disconnect the sensor bulb on the suction line.
- c. Disconnect the liquid line (1/4") and suction line (3/8") then remove the TXV.
- d. Install new TXV, reconnect lines, and re-fasten the sensor bulb.

*Note: It is not recommended to adjust the valve super heat as this comes pre-set from the factory.*

### **6.2.4 Replacement of Filter Dryer**

- a. Close liquid line valve and run compressor until the low side refrigeration gauge indicates zero lbs., then close suction.
- b. Remove filter dryer from system and replace with new dryer.
- c. Purge system and add refrigerant if needed.

### **6.2.5 Replacement of Condenser Fan Motor**

- a. Disconnect all electrical power to the unit.
- b. Remove the condensing unit from the condensing unit compartment.
- c. Remove the protective wire shroud from around the motor.
- d. Disconnect the fan motor leads from the terminal box on the compressor.
- e. Remove the mounting screws at the motor base.
- f. Using an allen wrench, remove the aluminum fan.
- g. To install the new motor, reverse the process.

### **6.2.6 Replacement of the Condensing Fan**

- a. Disconnect all electrical power to the unit.
- b. Remove the condensing unit from the condensing unit compartment.
- c. Remove the protective wire shroud from around the motor.
- d. Using an allen wrench, loosen the set screw on the blade hub and slide the blade from the shaft.
- e. Reverse the procedure to reassemble.

### **6.2.7 Replacement of the Anti-Condensate Heater**

*Note: The anti-condensate heater is located behind the front edge of the vinyl breakers in the door opening.*

- a. Disconnect all electrical power to the cabinet.
- b. Remove vinyl breakers by exerting pressure at the front edge toward the center of the door.
- c. Disconnect anti-condensate heater wiring connection.
- d. Remove heater from recessed rail.
- e. Replace new heater in rail and reconnect electrical.

### **6.2.8 Replacement of Door Handle**

*Note: Removing the handle from the door may be necessary to fit the cabinet through a door opening during install.*

- a. Remove the three side mounting screws in the latch.
- b. Remove the two screws in the strike.
- c. Replace in reverse order.

### **6.2.9 Replacement of Door Hinge**

*Note: This procedure is best performed with two people – one to hold the door while the other removes the attachment screws.*

- a. Using a screwdriver, remove the three screws that attach the butt section of the hinges to the cabinet.
- b. With the door detached from the cabinet, remove the screws that attach the hinges to the door.
- c. To install the replacement hinges, reverse the process.

#### **6.2.10 Replacement of Door Gasket**

*Note: It is suggested that the door be removed from the cabinet and placed gasket up on a table. Also, try not to cut the gasket in the replacement process.*

- a. Remove the fasteners located under the gasket lip and pull the gasket off.
- b. Clean the gasket retainer and the immediate area.
- c. Start new gasket into retainer.
- d. Once positioned, replace fasteners.

#### **6.2.11 Replacement of Power Switch**

- a. Shut off all electrical power going to the unit.
- b. Remove the front air grill.
- c. Using a flat blade screwdriver, remove the cover plate with the switch attached.
- d. Remove the wires connected to the switch.
- e. Unscrew the lock washer and remove the switch.
- f. Reverse the process when installing the new switch.

#### **6.2.12 Replacement of the Cold Well Switch<sup>3</sup>**

- a. Shut off all electrical power going to the unit.

---

<sup>3</sup> On Cold Food Counter models only.

- b. Remove the front air grill.
- c. Disconnect the wires on the cold well switch.
- d. Remove the old switch by pushing it through the front of its mounting plate.
- e. Snap in new switch from the front of its mounting plate.
- f. Reconnect the electrical to the switch.

### **6.2.13 Replacement of the Drain Line**

*Note: To replace the vinyl drain line, it is necessary that there be access to the rear of the cabinet.*

- a. On the cabinet exterior, remove the rear tubing cover using a ¼" nut driver.
- b. On the interior of the cabinet, remove the drain line cover.
- c. From the inside of the cabinet, pull the drain from the evaporator shroud fitting.
- d. From the rear, pull the drain through the penetration in the back wall of the cabinet.
- e. At the bottom of the condensing unit compartment, cut the drain line retaining strap. The drain line should now be free.
- f. To install the new drain line, reverse the process.

### **6.2.14 Replacement of Shelf Standards**

- a. To replace a shelf standard, you must first remove all products from the shelves then remove the shelves.
- b. With the shelves removed, slide the standard up vertically ½" to allow it to slip out of the retainer stud.

### **6.2.15 Replacement of the Lamp Socket**

**WARNING:**

*It is necessary to shut off all power going to the cabinet prior to performing this repair.*

- a. With the power off, remove the lamp shield by turning it counter-clockwise.
- b. Unscrew and remove the light bulb.
- c. Remove the two screws in the base of the fixture using a ¼” nut driver.
- d. Pull the fixture out revealing the electrical connections.
- e. Remove the fixture by disconnecting the electrical via the two quick connect fittings.
- f. Install the replacement by reversing the process.

#### **6.2.16 Replacement of Lamp Shield**

- a. Unscrew the shield by turning counter-clockwise.
- b. Replace by turning clock-wise.

#### **6.2.17 Replacement of Light Switch**

**WARNING:**

*It is necessary to shut off all power going to the cabinet prior to performing this repair.*

- a. Using a thin blade screwdriver, apply twisting pressure between the light switch and the cabinet. This will allow the switch to pop out.
- b. Pull the switch away from the cabinet about 2”, exposing the wires.
- c. Remove the connections from the switch.
- d. Fasten the connectors to the new switch.
- e. Place the new switch in the hole and apply pressure to the flange of the switch until it snaps into place.
- f. Test the switch to make sure that it is operable.

#### **6.2.18 Replacement of Defrost Terminator (freezer only)**

- a. Remove evaporator cover



- b. Locate defrost terminator on coil
- c. Disconnect the three (3) wires
- d. Remove mounting screws from terminator
- e. Remove terminator
- f. Attach new terminator with mounting screws
- g. Connect the three (3) wires as before
- h. Replace evaporator cover

### **6.3 Charging the Refrigeration System**

- a. Connect service gauges to the suction and discharge service valves then open valves one full turn.
- b. If the system is pressurized slightly, open both manifold gauge valves and purge the service line gauges.
- c. With manifold gauge valves closed, start refrigeration system.
- d. Attach a drum of refrigerant to the suction service side of the manifold gauges and add refrigerant until the liquid sight glass is clear of bubbles.

### **6.4 Recalibrating the Thermometer**

- a. To recalibrate the thermometer, remove it from the cabinet. Using a small, flat screwdriver, remove the lens. Prepare an ice water bath and immerse the thermometer bulb at least two inches into the ice bath. Within 30 seconds the indicator dial should read 32 degrees Fahrenheit. If it does not, it needs to be recalibrated. Do this by placing your index finger on the opposite side of the needle that needs to move. Then, using a flat screwdriver, turn the screw at the center of the dial  $\frac{1}{4}$  of a turn in the direction you want to move the dial. Repeat the procedure until the needle is on 32 degrees. See Figure 4-1 on page 4-4 for an illustration.

# Chapter 7

## Parts Lists

### 7.1 Introduction

This section of the manual contains lists of replaceable parts. Each of the tables contains a list of removable parts associated with an assembly of the cabinet or refrigeration system. No parts identification has been provided for details of permanently assembled items or those that are not suitable for field repair.

### 7.2 Source Codes

The sources for some items are shown in Table 7.1 below.

Table 7.1 – Vendor Source Codes

<u>Code Number</u>	<u>Name</u>	<u>Address</u>
92578	Johnson Controls, Inc.	Milwaukee, WI 53202
14852	Bohn Heat Transfer	Danville, IL 61932
32761	Kason Industries	Shenandoah, GA 30265
50992	Ranco Controls	St. Louis, MO 63143
78462	Sporlan Valve	St. Louis, MO 63143
14569	Copeland Corporation	Sidney, OH 45365
17529	Watsco	Hialeah, FL 33010
59431	Tecumseh Products	Tecumseh, MI 49286
49048	Miljoco Corporation	Eastpointe, MI 48021
45020	Nashville Wire Products	Nashville, TN 37202
79264	Jean's Extrusions, Inc.	Salem, IN 47167
2K223	Refrigeration Hardware	Sun Valley, CA 91353
87518	Standard Keil, Inc.	Allenwood, NJ 08720
60886	Idec Corporation	Sunnyvale, CA 94089
19220	Eberhard, Inc.	Cleveland, OH 44136
66682	Cospolich, Inc.	Norco, LA 70079

Table 7.2, on the following page, is a parts list of special tools required for routine service.

Table 7.2 – Parts List – Special Tools List

<u>Part Number</u>	<u>Description</u>	<u>Quantity</u>
R1412	Refrigerant service gauges with hoses	1
VA70264	Service valve wrench	1
50992	Refrigerant	30 lbs.

Table 7.3 – Parts List

<b>Parts List - Cabinet</b>				
<b>UCR20-2M-SN-</b>				
<b>MLR</b>				
<b>Item</b>	<b>Cosp #</b>	<b>Mfg #</b>	<b>Vendor</b>	<b>Qty</b>
Latch	HXLH06	172BC	Kason	2
Hinge	HXHE02	217	Kason	4
Thermometer	RWTM01C	V20362002	Milijoco	1
Pilaster #1	HXSD01	65	Kason	8
Pilaster #2	-	-	-	-
Pilaster Clip	HXCS01	66	Kason	8
Shelves #1	SSW18BX18B	-	Cospolich	2
Shelves #2	-	-	-	-
Gasket #1	18.1875"X20.75"	6449	Cospolich	2
Gasket #2	-	-	-	-
Mullion Heater #1	L1HR99	-	Cospolich	2
Mullion Heater #2	-	-	-	-
Breaker Kit #1	BB65V2	-	Cospolich	2
Breaker Kit #2	-	-	-	-
Light Switch	LRLS01	2767-1012-3000	Standard Keil	2
Light Guard	LRLC01	2778-1010-3000	Standard Keil	1
Light Socket	LRSK01	L10-X003	Component Hdwr	1
Light Bulb	LRSB01	R79-0040	Component Hdwr	1

<b>Parts List - Refrigeration</b>				
<b>UCR20-2M-SN-</b>				
<b>MLR</b>				
<b>Item</b>	<b>Cosp #</b>	<b>Mfg #</b>	<b>Vendor</b>	<b>Qty</b>
Evaporator Coil Assy	RWE010	TA10AF	Heatcraft	1
Evaporator Motor	RWEM03	25300701	Heatcraft	1
Evaporator Fan	RWE5101B	5101B	Heatcraft	1
Expansion Valve	RWEV27	FS 1/4 C	Sporlan	1
Thermostat	RWTT08	A319ABC-24-01	Johnson Controls	1
Condensing Unit	RUT220	AEA9422ZZAEC	Tecumseh	1
Compressor	RUT221	AEA590AT-946-A2	Tecumseh	1
Condenser	RWCD17	50837	Tecumseh	1
Condenser Fan Blade	RWFB20	51561	Tecumseh	1
Condenser Fan Motor	RWCM05	810M006B45	Tecumseh	1
Receiver	RWRT04	51080	Tecumseh	1
Start Capacitor	RWCP42	858S165A47	Tecumseh	1
Run Capacitor	-	-	-	-
Relay	RWRLY09	820RR12B79	Tecumseh	1
Overload	RWOVL05	8300MRTE59	Tecumseh	1
Filter Dryer	RWFD02	C-052-S	Sporlan	1
Sight Glass	RWSG01	SG-114	Watsco	1
Pressure Control	RWPL02	010-1483	Ranco	1
Power Control Switch	LWTS01	-	Cospolich	1

Terminal Box Assy	MT-001	-	Cospolich	1
Power Cord	Mmt-004	-	Cospolich	1
Wiring Harness	LH-041	-	Cospolich	1

# Chapter 8

## Installation

### 8.1 Unpacking

*Note: Before unpacking the unit, note any crate markings and check for damage to crating. Notify the carrier if there should appear to be damage to the unit.*

*The unit is shipped directly from the manufacturing factory securely fastened to a single pallet then protected by an external wrapping.*

- a. After inspection, carefully remove all external wrappings and other protective coverings.
- b. Review the installation section of the manual completely prior to installing the unit.
- c. Discard crating materials.

### 8.2 Installation

- a. Before moving the unit to the installation sight, double-check passageways to ensure that the unit will move through without modification.

*Note: In certain instances, it may be necessary to remove the doors and hardware. This will allow the unit to fit through tighter spaces.*

- b. On most shipboard applications, a permanent base is fabricated by the shipyard builder to accommodate the base frame of the unit.
- c. Position the unit to allow for sufficient ventilation. Typically, approximately 3" clearance from bulkheads and other equipment is sufficient. Try not to place the unit near heat producing items such as ovens, ranges, and furnaces.
- d. Level the cabinet from front to back and side to side. This is important so that the cabinet will not be pulled out of square when securing it to the deck.
- e. Evaporator coil drain lines are factory installed and are either plumbed into a condensate evaporator pan or the condensate evaporative base of the condensing unit to eliminate the need for exterior plumbing. Make certain that the drain outlet is located such that the condensate falls into the pan or base. On units with remotely located refrigeration, the condensate evaporator pan is optional.

- f. Check the door gasket to make certain that it is sealing properly to the cabinet. Adjusting the latch strike or the hinges may be necessary to produce a tight seal.
- g. Before applying electrical power to the unit, you should first check the electrical characteristics of the condensing unit to ensure that they agree with those of the electrical supply source.

**CAUTION:**

*Low or excessive voltage can severely damage the electrical system.*

***Note:** Adjusting any valves or controls on the system is not necessary and may void your warranty. All valves and controls have been set by the factory.*

# Chapter 9

## Electrical and Mechanical

### 9.1 Introduction

This section of the manual contains drawings and schematics of the electrical and mechanical piping systems.

### 9.2 Electrical Abbreviations and Terminology

#### a. RLA – Rated Load Amperage

1. Rated load amps is a measure of the current drawn by a compressor when operated at compressor manufacturer rating conditions at nominal voltage. This value is listed at U.L. and C.S.A. as “RLA”. It is in agreement with the N.E.C. definition that the RLA be the current draw when the compressor is delivering rated output.

#### b. LRA – Locked Rotor Amperage

1. The locked rotor amps of a compressor is the current value recorded three seconds after rated voltage is applied under locked rotor conditions from a 75 degree Fahrenheit motor soakout temperature (The voltage drop is to be predetermined and adjusted accordingly prior to testing). This value appears on the compressor serial plate and on all compressor statistics sheets.
2. It may be well to note that the practice in the past was to show an additional column marked, “LRA U.L. Test Report”. This is no longer needed since the U.L. investigation work, regarding component rating, will be guided by the compressor manufacturer’s published value.

#### c. MCG – Maximum Continuous Current

1. Maximum continuous current is a limiting ampere value that must not be greater than 156% of the RLA of the compressor as marked on the nameplate of the particular unit into which that compressor is applied.



Table 9.1 – Operating Pressures

<b>Refrigerant: R-12</b>			
<b>Cabinet</b>	<b>Ambient</b>	<b>Suction Pressure</b>	<b>Head Pressure</b>
-5 degrees F (Fre.)	90 degrees F	0-10 lbs.	120-150 lbs.
37 degrees F (Ref.)	90 degrees F	18-35 lbs.	120-150 lbs.
<b>Refrigerant: R-22</b>			
<b>Cabinet</b>	<b>Ambient</b>	<b>Suction Pressure</b>	<b>Head Pressure</b>
-5 degrees F (Fre.)	90 degrees F	10-15 lbs.	200-250 lbs.
37 degrees F (Ref.)	90 degrees F	37-67 lbs.	200-250 lbs.
<b>Refrigerant: 134A</b>			
<b>Cabinet</b>	<b>Ambient</b>	<b>Suction Pressure</b>	<b>Head Pressure</b>
-5 degrees F (Fre.)	90 degrees F	-5-10 lbs.	120-150 lbs.
37 degrees F (Ref.)	90 degrees F	16-37 lbs.	120-150 lbs.
<b>Refrigerant: 404A</b>			
<b>Cabinet</b>	<b>Ambient</b>	<b>Suction Pressure</b>	<b>Head Pressure</b>
-5 degrees F (Fre.)	90 degrees F	15-20 lbs.	250-300 lbs.
37 degrees F (Ref.)	90 degrees F	68-84 lbs.	250-300 lbs.

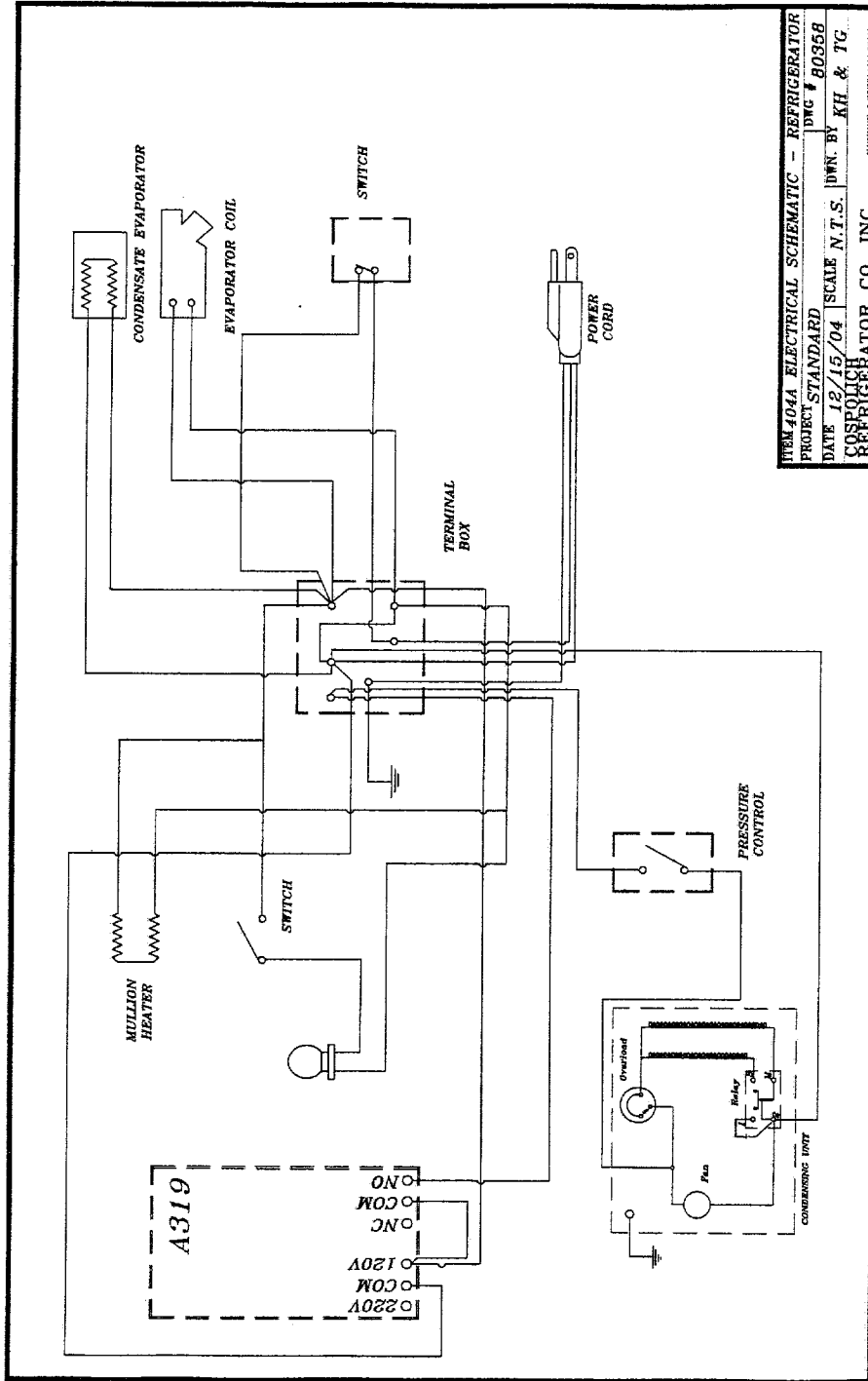


Figure 9.1 – Electrical Schematic

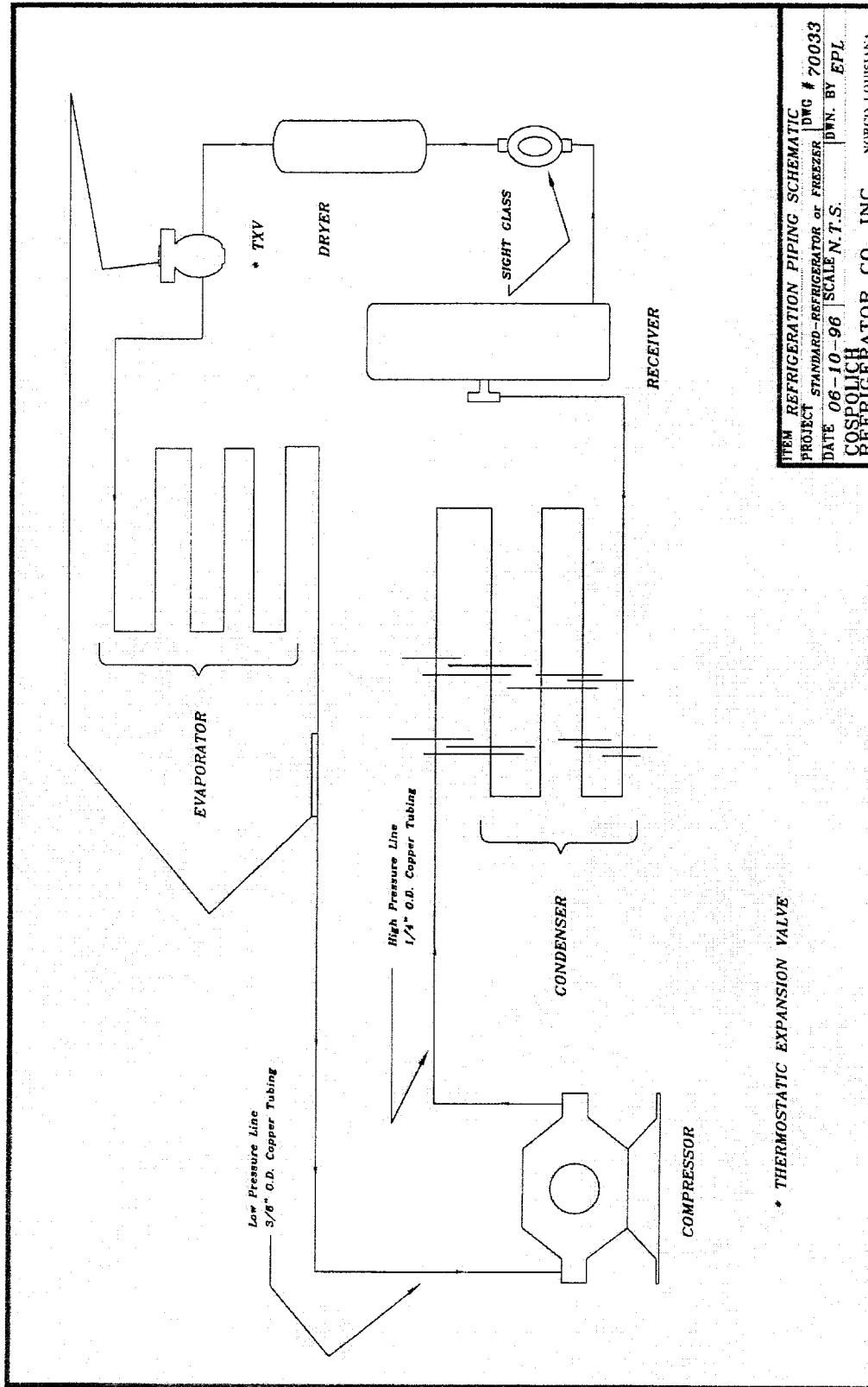


Figure 9.2 – Refrigeration Piping Schematic

# Chapter 10

## Limited Warranty

### 10.1 Introduction

Cospolich warrants their cabinets and units to consumers only against defects in material or workmanship under normal use and service for a period of one year from the date of shipment. Cospolich will repair or replace at their option, any part, assembly, or portion thereof, which, by their examination, is deemed to be defective. Cospolich will pay the labor costs for the repair up to twelve (12) months from the date of shipment.

### 10.2 Terms

#### 10.2.1 Exclusions

- a. Cospolich's obligations under this warranty shall not extend to any malfunction or other problem caused by unreasonable use, such as, but not limited to, improper setting of controls, improper installation, improper voltage supply, loose electrical connections or blown fuses, and damage not attributable to a defect in workmanship. This warranty will not apply to any cabinet or component part that has been subject to any accident, abuse, misuse, damage caused by fire or flood or any other act of God, and to any product serviced by an unauthorized service person or company.
- b. Cospolich will not accept responsibility for the labor costs related to service and repair of remote condensing units or other field installations.
- c. It remains the responsibility of the qualified refrigeration installation company to provide any accessories required for a specific climate or application. Cospolich does not imply nor warrant the use of this equipment in adverse conditions or beyond its intended use.

#### 10.2.2 To Secure Warranty Service

- a. To claim a defect under this warranty, direct your claim to whomever you purchased the product. Be prepared to provide the model number, serial number, and a description of the problem.
- b. If the above procedure fails to satisfy your claim, you may write directly to the **Director of Customer Relations, Cospolich, Inc., P.O. Box 1206, Destrehan, LA 70047**. Again, please provide the model number, serial number, and a description of the problem.

**Note:**

*There is no other express warranty on Cospolich units except as stated herein. Any implied warrants of fitness and merchantability are limited in duration to the duration of this warranty. The liabilities of Cospolich are limited solely and exclusively to replacement as stated herein and do not include any liability for any incidental, consequential, or other damages of any kind whatsoever, whether any claim is based upon theories of contract negligence or tort. Some states do not allow limitations on how long an implied warranty lasts, or the exclusion of limitations of incidental or consequential damages. So, the above limitations and exclusions may not apply to you. This warranty gives you specific legal rights and you may also have other rights that vary from state to state.*