



## Shipboard Modular Undercounter Freezer

### Technical Manual

Installation, Operation, and Maintenance Instructions

Models:

UCF15-2M-SN-MLR

UCF15-2M-ADS-MLR



# Table of Contents

<p>List of Illustrations..... 3</p> <p>List of Tables..... 4</p> <p><b>Chapter 1 General Information..... 5-7</b></p> <p>    1.1 Introduction..... 5</p> <p>    1.2 Scope..... 5</p> <p>    1.3 Equipment Description..... 5</p> <p>    1.4 Equipment Supplied..... 5</p> <p>    Table A Leading Particulars..... 6</p> <p>    Illustration 1.A Main Unit Drawing..... 7</p> <p><b>Chapter 2 Operation..... 8</b></p> <p>    2.1 Introduction..... 8</p> <p>    2.2 Controls and Indicators..... 8</p> <p>    Table B Controls and Indicators..... 8</p> <p>    Illustrations 2.A, 2B..... 9</p> <p>    2.3 Start-up Procedure..... 10</p> <p>    Table C Start-up Procedure..... 11</p> <p>    Table D Shut Down Procedures..... 12</p> <p>    2.4 Shutdown Procedure Short Term..... 12</p> <p>    Table E Shutdown Procedure Short Term..... 12</p> <p>    2.5 Cleaning Instructions..... 12-13</p> <p>    2.6 Extended Period Inactivity..... 13</p> <p>    Table F Shutdown for Extended Period..... 13</p> <p><b>Chapter 3 Functional Description..... 14</b></p> <p>    3.1 System Description..... 14</p> <p>    3.2 System Operation..... 14</p> <p><b>Chapter 4 Scheduled Maintenance..... 15-17</b></p> <p>    4.1 Introduction..... 15</p> <p>    4.2 Preventive Maintenance Index..... 15</p> <p>    4.3 Preparation for Maintenance..... 15</p> <p>    4.4 Maintenance Procedures..... 15</p> <p>        A. Monthly Maintenance Requirements.. 15</p> <p>        B. Bi-Monthly Maintenance Requirements. 16-17</p> <p>        C. Annual Maintenance Requirements.. 17</p> <p>        D. 3-Year Maintenance Requirements.. 17</p> <p>    Table G Preventive Maintenance..... 18</p> <p><b>Chapter 5 Troubleshooting..... 19</b></p> <p>    Table H Mechanical &amp; Electrical..... 19</p> <p><b>Chapter 6 Corrective Maintenance..... 20</b></p> <p>    6.1 Introduction..... 20</p> <p>    6.2 Repair Procedures..... 20</p> <p>        6.2.1 Compressor Fan Motor..... 20-22</p> <p>        6.2.2 Low Pressure Control..... 22</p>	<p>        6.2.3 Thermal Expansion Valve (TXV)..... 23</p> <p>        6.2.4 Filter Dryer..... 23</p> <p>        6.2.5 Condenser Fan Motor..... 23</p> <p>        6.2.6 Condenser Fan Blade..... 23-24</p> <p>        6.2.7 Anti-Condensate Heater Wire..... 24</p> <p>        6.2.8 Door Latch..... 24</p> <p>        6.2.9 Door Hinge..... 25</p> <p>        6.2.10 Door Gasket..... 25</p> <p><b>Chapter 7 Parts List..... 26-28</b></p> <p>    7.1 Introduction..... 26</p> <p>    7.2 Source Codes..... 26</p> <p>    Table I Source Codes..... 26</p> <p>    Table J Parts List UCF15-2M-SN-MLR..... 27-28</p> <p>        Illustrations 7.A—7.B Condensing Unit Assy 29</p> <p>        Illustrations 7.C—7.E Evaporator Coil Assy 30</p> <p>        Illustration 7.F Control Panel Detail 31</p> <p>        Illustrations 7.G—7.H Electronic Controller 32</p> <p>        Illustrations 7.I—7.K Door Detail 33</p> <p>        Illustrations 7.L—7.M Main Unit Front/Rear 34</p> <p>        Illustrations 7.N—7.P Interior Detail 35</p> <p><b>Chapter 8 Installation..... 36</b></p> <p>    8.1 Unpacking..... 36</p> <p>    8.2 Installation..... 36</p> <p><b>Chapter 9 Modular Installation..... 37-39</b></p> <p>    9.1 Introduction..... 37</p> <p>    9.2 Installation. Skill Level..... 37</p> <p>    9.3 Tools..... 37</p> <p>    9.4 Primary Components..... 37</p> <p>    9.5 Disassembly..... 37-39</p> <p><b>Chapter 10 Electrical &amp; Mechanical..... 40-43</b></p> <p>    10.1 Introduction..... 40</p> <p>        Illustrations 10.A—10.C..... 40-43</p> <p><b>Chapter 11 Warranty..... 44</b></p> <p><b>Appendix 1 Revision History..... 45</b></p>
--	---

# List of Illustrations

Figure	Title	Pg.
1.A	General Arrangement Drawing — UCF15-2M-SN-MLR	7
2.A	RCTL07, Control Panel Detail	9
2.B	Condensing Unit Assembly	9
7.A	Condensing Unit Assembly, RUT309-PM, Left Side View	29
7.B	Condensing Unit Assembly, RUT309-PM, Right Side View	29
7.C	Evaporator Coil Assembly, RWE050-PM, Lower Side View	30
7.D	Evaporator Coil Assembly, RWE050-PM, Interior Detail	30
7.E	Evaporator Coil Assembly, RWE050-PM, Cover and Fan Detail	30
7.F	RCTL07, Control Panel Detail	31
7.G	RWTT42-PM, Electronic Controller Assembly Detail	32
7.H	RWTT42-PM, Electronic Controller Digital Display Detail	32
7.I	Door Detail	33
7.J	Door Latch Detail	33
7.K	Door Hinge Detail	33
7.L	Main Unit-Front Detail View	34
7.M	Main Unit-Rear Detail View	34
7.N	Interior Detail	35
7.O	Shelf & Shelf Clip Detail	35
7.P	Leg Detail	35
10.A	Mechanical Piping Diagram	40
10.B	Electrical Schematic—Standard Controls	41
10.C	Electrical Schematic—Electronic Controls	42

# List of Tables

<b>Table</b>	<b>Title</b>	<b>Page</b>
<b>A.</b>	<b>Leading Particulars</b>	<b>6</b>
<b>B.</b>	<b>Controls and Indicators</b>	<b>8</b>
<b>C.</b>	<b>Start-Up Procedures</b>	<b>11</b>
<b>D.</b>	<b>Shutdown Procedures</b>	<b>12</b>
<b>E.</b>	<b>Shutdown Procedures for Extended Periods</b>	<b>13</b>
<b>F.</b>	<b>Preventive Maintenance</b>	<b>18</b>
<b>G.</b>	<b>Mechanical and Electrical Troubleshooting Guide</b>	<b>19</b>
<b>H.</b>	<b>Source Codes</b>	<b>26</b>
<b>I.</b>	<b>Parts List - UCF15-2M-SN-MLR</b>	<b>27-28</b>

# Chapter 1 – General Information

## **1.1 Introduction**

This technical manual provides information on the installation, operation, maintenance, and inspection of this unit manufactured by **Cospolich Inc.**, Destrehan, Louisiana. A complete parts breakdown is provided in Chapter 7.

## **1.2 Scope of the Manual**

This technical manual provides information for installation, operating, preventative maintenance, and service instructions, including applicable drawings and figures of the equipment.

## **1.3 Equipment Description**

The unit consists of the following parts:

- A. Storage Compartment - The storage compartment is clear storage area. Included in this area are the adjustable shelves.
- B. Door(s) – Access to the storage compartment is through hinge mounted door(s).
- C. Condensing Unit & Controls Compartment- The condensing unit and controls compartment is located on the lower left of the cabinet. Access to this compartment is through an removable grill on the front left of the cabinet.
- D. Evaporator Coil Assembly- The evaporator coil assembly is located in the storage compartment and is responsible for distributing the cold air associated with the refrigeration system.
- E. Cabinet - The cabinet is the enclosure in which all of the above items are housed.

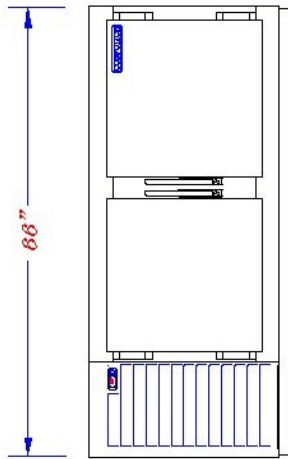
## **1.4 Equipment Supplied**

The unit is shipped from the factory fully assembled, palletized and crated to minimize the possibility of damage in shipping and storage.

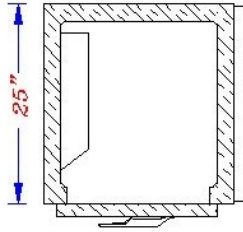
## Table A – Leading Particulars

<b>MANUFACTURER:</b>	<b>Cospolich Inc. Destrehan, Louisiana 70047</b>
<b>TYPE:</b>	<b>Marine Shipboard Modular Undercounter Freezer Unit</b>
<b>MODEL:</b>	<b>UCF15-2M-SN-MLR UCF15-2M-ADS-MLR</b>
<b>PURPOSE:</b>	<b>Storage of Frozen Food Items/Perishables</b>
<b>ELECTRICAL REQUIREMENTS:</b>	<b>Power Supply - 115 Volt AC, 60 Hz, 1 Phase RLA — 6.4 Amps</b>
<b>REFRIGERANT:</b>	<b>404A</b>
<b>CHARGE:</b>	<b>1 lb, 9 oz</b>
<b>DRAIN:</b>	<b>Not Required</b>
<b>DIMENSIONS:</b>	<b>66" WIDE X 25" ACTUAL CABINET DEPTH X 28" HIGH</b>

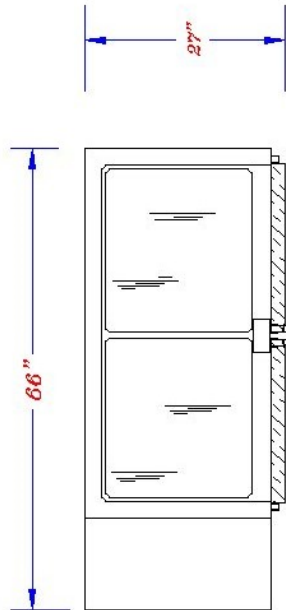
# Illustration 1.A – General Arrangement Drawing



ELEVATION



VERTICAL SECTION



HORIZONTAL SECTION

MODEL **UCF15-2M-SN-MLR**  
SPECIFICATION

DIMENSIONS: Width 66" Depth 25" Height 28"  
FINISH: Exterior (Exposed) S.S. Interior S.S.  
INSULATION: POLYURETHANE FOAMED-IN-PLACE  
REFRIGERATION: 404A Refrigerant  
ELECTRICAL: 115VAC, 1 PHASE, 60 hz  
SPECIAL PROVISIONING:

NOTES:

REVISIONS:

A.) CHANGED THERM. TO DIGITAL CONTROLLER 1/18/12 (EMW)

Fabrication can proceed according to these specifications, except as noted:

Approved By: \_\_\_\_\_

Date: \_\_\_\_\_

ITEM: SHEETBOARD, MODULAR UNDERCOUNTER FREEZER	DWG # 50758-1A
PROJECT STANDARD	DWN. BY TW
DATE 5/30/02	SCALE N.T.S.
COSPOLICH, INC. DESTREHAN, LOUISIANA	



# Chapter 2—Operation

## **2.1 Introduction**

These models are heavy-duty pieces of food service equipment designed for intermittent use. They incorporate electronic controls to regulate the cycling and temperature of the refrigeration system.

## **2.2 Table B—Controls and Indicators**

<b>Name</b>	<b>Type</b>	<b>Function</b>
Power Switch	Toggle Switch	Power Control, terminates all electrical into and past the supply cord
Electronic Controller**	Push Button Electronic, L.E.D. Display	Cycles refrigeration system (automatic)
Solenoid Valve	Automatic Plunger	Shuts off refrigerant flow
Low Pressure Switch	Contact Points	Cycles the refrigeration system (automatic)
Suction Valve	Manual Plunger Valve	Isolate suction at the
Discharge Valve	Manual Plunger Valve	Isolate Discharge line at

**Note:** Normal operating pressures in 90°F ambient environments for refrigerator applications (37°F Cabinet temperature) should be 68-84 lbs Suction Pressure and 250-300 lbs Head Pressure.

**Note:** Normal operating pressures in 90°F ambient environments for freezer applications (-5°F Cabinet temperature) should be 15-20 lbs Suction Pressure and 250-300 lbs Head Pressure.



## Illustrations 2.A, 2.B— Control Panel & Condensing Unit Assemblies



Illustration 2A: RCTL07 Control Panel



Illustration 2B: RUT309-PM  
Condensing Unit Assembly

### **2.3 Start-Up Procedures**

The refrigeration system is completely factory assembled, pre-charged, and ready for operation. To energize the unit, it is only necessary to find the power supply cord and connect it to a proper 115V power source. Once the supply cord has been connected to a power source, the unit can be started by flipping the power control switch to the "ON" position.

***NOTE:*** *On modular units (MLR suffix in model number) the equipment will require dismantling.*

## Table C – Start-Up Procedure

	<b>Operation</b>	<b>Results</b>
1.	Activate system by connecting electrical service cord to power supply.	This brings power to the control. The compressor should immediately come on line along with the condenser fan and the evaporator fan(s)
2.	Place power switch to "ON" position	This brings power to the controls.
3.	Locate liquid refrigerant indication glass mounted on the receiver	Once the system has been operating for two minutes, the glass should appear clear and full of liquid refrigerant.
4.	Wait 15 minutes	The temperature in the storage area should begin to drop.
5.	Wait 3 hours	Once the operating temperature has been reached, stocking of the cabinet are can begin.

## 2.4 Shut Down Procedure for Short Term

To shut down, switch the power control to the off position.

**Table D—Shut-Down Procedure for Short Term**

	<b>Operation</b>	<b>Results</b>
1.	De-energize the system by flipping the power control switch "OFF".	Once the system is de-energized the cabinet has no power.



**WARNING: PRIOR TO CLEANING ANY OF THE UNIT, THE SYSTEM SHOULD BE DEACTIVATED BY DISCONNECTING THE POWER SUPPLY.**

## 2.5 Cleaning Instructions

1. It is necessary that the power source be turned off..
2. Remove all shelves.
3. Wipe entire unit using a clean cloth or sponge with a mild detergent.



**WARNING: DO NOT SPLASH OR POUR WATER ONTO THE EVAPORATOR ASSEMBLY, CONTROL PANEL, CONDENSING UNIT AND/OR WIRING.**



**CAUTION: POSSIBLE SHOCK HAZARD MAY RESULT AND UNIT MAY BE DAMAGED SHOULD ELECTRICAL COMPONENTS BECOME WET.**

4. A plastic scouring pad may be used in the storage area to remove any hardened food particles.
5. When cleaning is finished, rinse the inside thoroughly with a solution of vinegar and water to neutralize all detergent/cleaner residue.

***Important: It is not recommended to use any strong or caustic cleaners on the Undercounter Freezer. Do not allow ammonia to stand in the interior of the unit. Make certain to rinse thoroughly to remove all residue. Failing to do so may cause damage or corrosion to the unit.***

## ***2.6 Preparation for an Extended Period of Inactivity***

This unit is designed for periodic use. For extended shut down the electrical should be disconnected and the interior cleaned.

**Table E – Shut-Down Procedure for Extended Period**

	<b>Operation</b>	<b>Results</b>
1.	Fully close discharge valve at the receiver	Compressor will pump liquid refrigerant from system to receiver.
2.	Fully close suction valve at the compressor	This will isolate the refrigerant between the two valves.
3.	De-energize the system by flipping the power control switch to the "OFF" position and disconnecting the electrical supply cord.	De-energizes system. The condenser fan and evaporator fan(s) will cease operation.
4.	Clean and wipe dry the food storage compartment	This will reduce the odor buildup during shut down period.

# Chapter 3 – Functional Description

## **3.1 System Description**

The unit is a self-contained, automatically controlled, continuous duty perishable food storage system. It is designed with the intent and purpose of storing perishable food items.

The operating temperature is automatically monitored by the electronic controls that are factory set to maintain a predetermined adequate storage condition.

The equipment is comprised of the following two basic compartment assemblies:

1. Condensing Unit Compartment—This area contains the condensing unit along with the electronic control assembly.
2. Storage Compartment—The insulated food storage area is a temperature controlled refrigerated area. Included in this compartment is the adjustable shelving and evaporator coil assembly.

## **3.2 System Operation**

The design of the freezer cabinet focuses primarily on the safe storage of food products requiring refrigeration. In engineering, considerable attention was placed on not only its functionality, but also serviceability.

The refrigeration system is a closed loop system. Barring a leak in the system, the addition of refrigerant will not be necessary. A periodic check of the refrigerant level, however, is recommended to insure that the system operates at the optimum level at which it was designed.

The chilled food compartment is designed for the storage of perishable food items that require a temperature range of 37 to 40°F on refrigerators and –5 to 0°F on freezers. It is a general rule that adequate spacing is allowed between the stored items to allow for proper air circulation.

# Chapter 4—Scheduled Maintenance

## **4.1 Introduction**

To insure the longest and most trouble free operation, a thorough periodic maintenance schedule is required. The maintenance system should be aimed at maximizing the efficient utilization of maintenance personnel, minimizing down time, and providing the orderly acquisition of spare parts support.

The Cospolich Undercounter Freezer cabinet will generally be in operation in a facility or onboard a vessel where scheduled maintenance is performed according to Maintenance Index Plans. This unit requires regular maintenance. This chapter is intended as an alternative to any standard maintenance program that may pre-exist. The preventative maintenance schedule is based upon similar maintenance requirements for commercial refrigeration equipment.

## **4.2 Preventive Maintenance Action Index**

If there is not a maintenance index plan, we have formulated our schedule for periodic maintenance in Table G.

## **4.3 Preparation for Maintenance**

Since many areas affected in the maintenance schedule are electrically supplies, it may be necessary to de-energize the system when making these inspections.

## **4.4 Maintenance**

### **A. Monthly Maintenance**

1. The unit should first be de-energized by switching the toggle switch to the "OFF" position. The switch is found on the electronic control panel assembly in the condensing unit compartment. Note: It is necessary to first remove the louvered grill to the condensing unit compartment. This is done by lifting it straight up, then pulling the bottom out and down.
2. Using a vacuum or soft brush/broom, brush the condenser fins in a vertical motion to remove dust or debris.



## B. Bi-Monthly Maintenance

1. Check the drain line at both the inlet and outlet ends to make certain that there are no obstructions (forced air evaporator models only). It is not recommended to use any chemicals in clearing a clogged drain. The preferred method is to use compressed air, with approximately 60 psi being sufficient to free most clogs or obstructions. To do so, simply remove the drain line at the evaporator coil and attach an air line to it.
2. With the unit in a cooling cycle, use a flashlight and locate the refrigerant sight glass. If the compressor has been running for 3 or more minutes, there should be no visible bubbles.

### A. If bubbles are present:

- Determine if there is a leak by using a halide or electronic leak detector.
- Repair any/all leak(s).

**Warning:** *The system should be de-energized when checking for leaks*

### B. To repair leaks:

1. Flared Fitting: Can often be repaired by simply tightening the brass flare nut 1/4 of a turn. If tightening does not repair the leak, it may be necessary to re-flare the tubing.
2. Brazed Joint: It is necessary to pump down the system's refrigerant charge to remedy the problem. To pump the refrigerant into the receiver, you must first connect service gauges to the system at the suction valve on the compressor and the liquid valve on the receiver. Purge the gauges before opening the systems valves to avoid contamination. Run the receiver (liquid or high pressure) valve all the way in to stop the refrigerant from exiting the receiver. Start the unit and allow it to run until the suction or low pressure gauge reads 5lbs., de-energize the system. Once pumped down, the necessary repairs can be made.

3. Using a mild non-abrasive detergent and soft cloth, wipe the interior lining beginning with the top and working down. Also, wipe the gasket and where it sits on the cabinet interior.
4. Remove the louvered air grill and unbolt the condensing unit, then slide it out. The unit is capable of being completely removed due to the extra tubing coiled up behind/beside the unit. With the unit de-energized, check the condenser fan motor and make certain that it is secure and not loose. Inspect the fan blade for cracks and make sure it is tight on the motor.
5. To inspect the evaporator motor, de-energize the unit. Remove the drain line from the evaporator pan. Loosen the screws that hold the shroud. Lower the shroud and disconnect the polarized electrical connection. With the shroud out of the cabinet, proceed to inspect the motor mounting bolts and the fan for cracks or excessive play. **NOTE:** In vertical style evaporators, lift/remove the side cover to examine the evaporator fans, which should be clearly visible and accessible.
6. Using a mild detergent and water, wipe the vinyl gasket. Make certain to clean under the gasket to remove any mildew or residue that may have accumulated.
7. Using a mild, non-abrasive detergent and water, wipe the cabinet exterior, paying careful attention to wipe the cabinet in the direction of the stainless steel grain texture.

### C. Annual Maintenance

1. Slide the condensing unit out and check all refrigerant lines for leaks or fatigue, making sure no copper lines are in direct contact with any other metal surfaces. If contact exists, place an insulated material between the two surfaces.
2. Inspect electrical connections to make certain that there is a good contact and that wires are neither weakened or frayed.
3. Inspect the integrity of the cabinet.
4. Check all bolts and screws to make sure they are tight and secure.

## D. Three Year Frequency Maintenance

1. Replace all door gaskets. To do so, first remove all products from the refrigerated compartment. Using a Phillips screwdriver, remove the door from the cabinet and lay it on a flat surface, gasket facing up. Lift the flange off the gasket and remove all screws securing it to the door. Remove the original gasket and replace with a new one. Reinstall all screws and mount door back onto cabinet.
2. Inspect all motors and shafts for noise & wear, replace if necessary.
3. With the unit de-energized, remove the condensing unit from its compartment and inspect all wiring for signs of fatigue or wear.
4. Inspect the operation of the door latch assembly (when applicable). Check for signs of wear, loose screws, or mechanical failure.
5. Inspect the operation of the door hinges. To do so, open the door at a 90° angle to the cabinet and lift on the outer edge of the door. If there is upward movement of ½" or more, replace the hinges. On spring-mount hinges, when the doors no longer close properly, replace the hinges.

**Table F—Preventive Maintenance Action Index**

	<b>Frequency</b>	<b>Description</b>
1.	Monthly	A. Inspect condenser coil to make certain air flow is not obstructed and that it is clear of dust and debris.
2.	Bi-Monthly	A. Inspect and clear drain line. B. Check the liquid refrigerant sight glass for proper refrigerant charge C. Clean interior and exterior of cabinet with mild detergent and water, dry thoroughly D. Check both condenser fan motor and evaporator motor(s) for proper function and that they are mounted securely E. Clean door gaskets and breaker strips with a damp cloth
3.	Annually	A. Slide out condensing unit, check all joints and fittings for signs of wear, leaks, or fatigue B. Inspect electrical connections to make certain that there is a good contact and that wires are neither weakened or frayed. C. Check the integrity of the cabinet
4.	Three Year	A. Replace all door gaskets B. Inspect motor shafts for noise or wear C. Inspect electrical controls and wiring D. Inspect door latch (when applicable) and hinges.

## Chapter 5 – Troubleshooting

This chapter will assist in a systematic check of components in determining any cause of equipment failure.

It will be necessary that the individual involved in the troubleshooting operation be familiar with the function of the equipment as described in Chapter 3.

The following table lists the most common symptoms that may be experienced and the recommended corrective action. The tables are separated into electrical maintenance, mechanical maintenance, and operators' actions.

**Table G – Mechanical and Electrical Troubleshooting Guide**

<b>Symptom</b>	<b>Possible Failure</b>	<b>Remedy</b>
Unit does not operate	A. Control failure B. Incorrect voltage C. Failed compressor	A. Adjust control or replace B. Correct C. Replace
Unit runs continuously	A. Control failure B. Bad connection at TXV expansion valve C. Restricted air flow D. Bad condenser fan motor E. TXV valve stuck open F. Ineffective door seal G. Restricted air flow in storage compartment	A. Adjust control or replace B. Check and secure sensor bulb to suction line C. Clear obstruction and clean condenser D. Check and replace E. Replace F. Adjust door latch and hinges G. Redistribute food for even air flow
Low Head Pressure	A. Defective Compressor B. Low refrigerant C. Ambient temp too low	A. Replace B. Leak check & recharge C. Raise room temperature
High Head Pressure	A. Dirty compressor B. System contains air C. Refrigerant overcharge D. Condenser fan bad	A. Clean compressor B. Evacuate, change filter dryer, recharge C. Reduce qty of refrigerant D. Replace
Short Cycling	A. Maladjusted control	A. Adjust control

# Chapter 6 – Corrective Maintenance

## **6.1 Introduction**

This chapter focuses on the instruction needed in the removal and replacement of certain components. We will also address the repair of components not listed under the schedule maintenance index covered in Chapter 4.

The components that we address are considered acceptable for repair using standard procedures that we will detail. The level of skills required to perform the service or repair will vary. Some may require specific training. It is up to the individual and /or his supervisor to determine their capability to undertake the particular task of service or repair. It is also important to know that any procedure requiring the handling of electrical components and appliances. The service or repair items are limited to those listed in Chapter 7.

## **6.2 Repair Procedure**

**\*\*WARNING\*\***

**PRIOR TO PERFORMING ANY WORK ON THE SYSTEM, IT IS REQUIRED THAT THE UNIT BE DE-ENERGIZED.**

**Note: To access the electrical components the louvered grill on the front of the cabinet must be removed. To remove it, simply lift up and pull the bottom of the grill outward.**

### **6.2.1 Replacement of Compressor (Part #: RUT311)**

1. Evacuate the refrigerant from the system using a recovery system in compliance with all Federal regulations.
2. Disconnect power supply to the unit.
3. Remove the exterior louvered grill to access the condensing unit compartment.
4. With the grill(s) removed, use a 3/8" wrench/socket to remove the mounting bolts that secure the condensing unit to the cabinet base. Slide entire unit out, paying attention to lift it over the angle mounting clips at the base.
5. Find electrical terminal box on side of compressor and remove cover. Disconnect the wires from the compressor. Remove the screws that attach terminal box to the compressor. The compressor is now electrically detached.

6. Using wrenches, remove the suction and discharge valve stem cover caps on each side of the compressor. Also remove the cap nut on the suction and discharge side as well.
7. Disconnect high-side line at the compressor. This is done by heating the brazed connection using an acetylene and oxygen torch set. **Note:** *Do not apply a flame to lines containing refrigerant.*
8. To remove the low pressure control capillary tube and service fitting, loosen the ¼" brass flare nut on the suction valve.
9. Disconnect the compressor from its mounting. Remove the wire clips on each of the four feet. Remove old compressor.
10. To install the new compressor, place it in position on the base and reinstall four wire clips.
11. Reattach the suction and discharge valve blocks to the appropriate sides of the compressor.
12. Reattach the low pressure control capillary tube and service fittings to the suction side of the compressor.
13. Reattach the suction line to the compressor.
14. Prepare the high pressure line's end by cleaning off residue using a fine sandpaper or emery cloth. Also clean the connection on the compressor. Apply flux to both ends and braze the connections into place.
15. Remove valve stem cap from suction block on side of the compressor. Run valve stem out all the way then in one turn clockwise.
16. Place refrigeration service gauge hoses on both suction and high side valves. Attach a bottle of refrigerant to the charging hose and charge the system with 150 psi of vapor. Use an electronic leak detector to check system for leaks. Repair all leaks, if necessary.
17. If no leaks are present, recover the test charge using a vacuum recovery pump.
18. With the system pressure at zero, connect the vacuum pump and evacuate the system. Run pump for 1 hour. Pump should pull system down to 30."



19. Reattach electrical terminal box and secure all wiring.
20. Check refrigeration tag on the unit for the number of ounces of refrigerant to place into the system for start-up. Monitor the pressure on both the suction and discharge sides of the manifold gauges. As the temperature in the storage area begins to fall, check the refrigerant flow through the sight glass. The unit is fully charged when there are no bubbles in the sight glass. If after five minutes of operation, bubbles are still present, it may be necessary to add more refrigerant, which should be done in small amounts to keep from overcharging.

**Warning:** *Overcharging a refrigeration system can be dangerous. If assistance is required, call Cospolich (800) 423-7761 to speak to a service technician.*

### **6.2.2 Replacement of Low Pressure Control (Part #: RWPL02)**

1. Disconnect the unit from electrical service
2. Remove control cover and disconnect electrical terminals
3. Disconnect capillary tube
4. Remove mounting fasteners on control base and install new control
5. To adjust the new control, hook up service gauges to the suction and discharge valves and crack them to allow the gauges to detect a reading.
6. Using a standard screwdriver, coarse adjust the control by turning the adjustment screws on the top of the control. Preset the cut-in and cut-out at 68 lbs and 38 lbs respectively for a refrigerator (and 25 lbs and 10 lbs respectively for a freezer, when applicable).
7. Start the system and allow it to run for five minutes. Monitor the low side pressure. Fine adjustments may be necessary to achieve the proper cycling pressures.

**Note:** *Running the suction valve in or out as required to effectively change the pressures can speed up the control adjustment process.*



### ***6.2.3 Replacing Expansion Valve (TXV)—(Part #: RWEV28)***

1. Close liquid valve and run compressor until it pumps refrigerant into the receiver (low side service gauge will read 1 lbs). Close the suction line valve.
2. Disconnect the sensor bulb on the suction line.
3. Disconnect the liquid line (1/4") and suction line (3/8") then remove the TXV.
4. Install new TXV, reconnect lines, and re-fasten the sensor bulb.

### ***6.2.4 Replacing Filter Dryer— (Part #: RWFD02)***

1. Close liquid line valve and run compressor until the low side refrigeration gauge indicates zero lbs, then close suction.
2. Remove the filter dryer from the system and replace with new dryer.
3. Purge system and add refrigerant, if needed.

### ***6.2.5 Replacing Condenser Fan Motor— (Part #: RWCM29)***

1. Disconnect all electrical power to the unit.
2. Remove the condensing unit from its compartment.
3. Remove the protective wire shroud from around the motor.
4. Disconnect fan motor leads from the terminal box on the compressor.
5. Remove the mounting screws at the motor base.
6. Using an Allen wrench, remove the aluminum fan.
7. To install new motor, reverse the process.

### ***6.2.6 Replacing Condenser Fan Blade—(Part #: RWFB13)***

1. Disconnect all electrical power to unit.
2. Remove the condensing unit from the its compartment.

3. Locate and remove the five mounting screws attaching the blower trim and frame.
4. Remove protective wire shroud from around the motor.
5. Using an Allen wrench, loosen the set screw on the blade hub and slide the blade from the shaft.
6. Replace the blade. Reverse the process to reassemble.

#### ***6.2.7 Replacing the Anti-Condensate Heater(s)—(Part #s: L1HR104H)***

**NOTE: The anti-condensate heater wire is located behind the front edge of the vinyl breakers in the door opening.**

1. Disconnect all electrical power to the cabinet
2. Remove vinyl breaker strips by exerting pressure at the front edge toward the door.
3. Disconnect anti-condensate heater wiring connection.
4. Remove heater from recessed rail.
5. Replace new heater wire in rail and reconnect electrical.

#### ***6.2.8 Replacing Door Handle/Latch —(Part #: HXLH06 )***

1. Remove three side mounting screws in the latch.
2. Remove two screws in the strike.
3. Replace both latch/handle and strike.
4. Replace in reverse order.

### ***6.2.9 Replacing Door Hinge(s)—(Part #: HXHE02)***

**NOTE: This procedure is best accomplished with two people—one to hold the door while the other removes and the attachment screws.**

1. Using a screwdriver, remove the three screws that attach the butt section of the hinges to the cabinet.
2. With the door detached from the cabinet, remove the screws that attach the hinges to the door.
3. To install replacement hinges, reverse the process.
4. On spring-loaded hinges (when applicable), careful attention must be paid to the spring cartridge during the replacement process. Call Cospolich (800) 423-7761 for assistance.

### ***6.2.10 Replacing Door Gasket—(Part #s: GB65MV)***

**NOTE: It is suggested that the door be removed from the cabinet and placed gasket side up on a table during the replacement process. Pay careful attention not to cut the new gasket when installing.**

1. Pull back gasket and remove all fasteners located below the gasket lip.
2. Clean the area under the gasket.
3. Place new gasket on door, replace all fasteners.
4. Reinstall door onto cabinet.

**Cospolich Inc.** urges that all individuals responsible for training, teaching or advising, installation mechanics and service personnel emphasize proper techniques and strict adherence to recommended practices for electrical maintenance.

# Chapter 7—Parts List

## **7.1 Introduction**

This section of the manual contains lists of replaceable parts. Each of the tables contain a list of removable parts associated with an assembly of the cabinet . No parts identification has been provided for details of permanently assembled items or those items that are not suitable for field repair.

## **7.2 Source Codes**

The sources for some items are shown in the part tabulation. Where no individual source code is listed, the part is available through Cospolich Inc. , PO Box 1206, Destrehan, LA 70047 (Fed. Mfg. Code #66682).

## Table H—Source Codes

Code Number	Name	Address
14852	Bohn Heat Transfer	Danville, IL 61932
32761	Kason Industries	Shenandoah, GA 30265
50992	Ranco Controls	St. Louis, MO 63143
78462	Sporlan Valve	St. Louis, MO 63143
14569	Copeland Corporation	Sidney, OH 45365
17529	Watsco	Hialeah, FL 33010
59431	Tecumseh Products	Tecumseh, MI 49286
49048	Miljoco Corporation	Eastpointe, MI 48021
45020	Nashville Wire Products	Nashville, TN 37202
79264	Jean's Extrusions, Inc.	Salem, IN 47167
2K223	Refrigeration Hardware	Sun Valley, CA 91353
87518	Standard Keil, Inc.	Allenwood, NJ 08720
60886	Idec Corporation	Sunnyvale, CA 94089
19220	Eberhard, Inc.	Cleveland, OH 44136
66682	Cospolich, Inc.	Norco, LA 70079

**Table I—Parts List for UCF15-2M-SN-MLR**

	<b>ITEM</b>	<b>COSP#</b>	<b>MFG#</b>	<b>Vendor</b>	<b>QTY</b>	<b>U/M</b>
1	CONTROL PANEL ASSEMBLY	RCTL07*	RCTL07	COSPOLICH	1	EA
2	ON/OFF TOGGLE SWITCH	LWTS01	2FA53-73-TABS	ALLIED	1	EA
3	JUNCTION BOX COVER	LJCG01*	58-C-1	NULITE	1	EA
4	2" X 4" JUNCTION BOX	LJBG01*	58361-1/2	NULITE	1	EA
5	THERMOSTAT	RWTT02*	A319ABC-24-01	JOHNSON CONTROLS	1	EA
6	1/2" DRAIN LINE TUBING	CVT12	CVT12	BARNETT	10	FT
7	DEFROST TIMER	RWDT01	DTSX-120	INTERMATIC	1	EA
8	SECONDARY BREAKER STRIP- 19"	HXBS19	20-0110	JEANS EXTRUSIONS	4	EA
9	SECONDARY BREAKER STRIP- 27"	HXBS27	20-0100	JEANS EXTRUSIONS	4	EA
10	BREAKER STRIP CORNER	HXBSC01	19-0000	JEANS EXTRUSIONS	8	EA
11	HEATER WIRE	L1HR82H	64-200	RHS	2	EA
12	LIGHT FIXTURE	LRLF01***	L20-1010-GS	COMPONENT HDW	1	EA
13	LIGHT BULB	LRSB01***	685206	BARNETT	1	EA
14	THERMOMETER	RWTM01C*	V20362102-12	MILJOCO	1	EA
15	LEG	HLEG63***	1-1752F260T50S	KASON	6	EA
16	SHELF CLIP	HXCS01	00660000044	KASON	8	EA
17	STAINLESS STEEL SHELF	SSW22AX18B	SSW22AX18B	NASHVILLE WIRE	2	EA
18	DOOR ASSEMBLY	DA65SF	DA65SF	COSPOLICH	2	EA
19	DOOR GASKET	GA65MV	02-070	RHS	2	EA
20	DOOR HINGE	HXHE02	0217000008	KASON	4	EA
21	DOOR LATCH	HXLH06	172BC	KASON	2	EA
22	EVAPORATOR COIL ASSEMBLY	RWE050-PM	RWE050-PM	COSPOLICH	1	EA
23	EVAPORATOR COIL	RWE050	TL09SG	HEATCRAFT	1	EA
24	EXPANSION VALVE	RWEV28	FS-1/4-Z	SPORLAN	1	EA
25	QUICK CONNECT FITTING-1/4"	RWQF0048	5500-04-08	PARKER-HANNIFAN	3	EA
26	QUICK CONNECT FITTING-3/8"	RWQF0068	5500-06-08	PARKER-HANNIFAN	3	EA
27	CONDENSING UNIT ASSEMBLY	RUT309-PM	RUT309-PM	COSPOLICH	1	EA
28	CONDENSING UNIT	RUT309	M4PL-0039-IAA-212	EMERSON	1	EA
29	FILTER DRYER	RWFD02	C-O52-S	SPORLAN	1	EA
30	PRESSURE SWITCH	RWPL02	010-1483-070	JOHNSON CONTROLS	1	EA
31	SIGHT GLASS	RWSG03	SA-12S	SPORLAN	1	EA
32	COMPRESSOR	RUT311	AS13C1E-IAA-908	EMERSON	1	EA

**Table I—Parts List for UCF15-2M-SN-MLR**

	<b>ITEM</b>	<b>COSP#</b>	<b>MFG#</b>	<b>Vendor</b>	<b>QTY</b>	<b>U/M</b>
33	CONDENSER	RWCD40	066-0300-01	EMERSON	1	EA
34	CONDENSER FAN BLADE	RWFB13	083-0122-00	EMERSON	1	EA
35	CONDENSER FAN MOTOR	RWCM29	050-C012-00	EMERSON	1	EA
36	RECEIVER	RWRT16	577-C430-01	EMERSON	1	EA
37	START CAPACITOR	RWCP06	014-0038-04	EMERSON	1	EA
38	RELAY	RWRLY06	040-C411-83	EMERSON	1	EA
39	OVERLOAD	RWOVL63	071-C100-38	EMERSON	1	EA
40	EVAPORATOR FAN COVER	RWE5054D	5054D	HEATCRAFT	1	EA
41	EVAPORATOR FAN BLADE	RWE5101B	5101B	HEATCRAFT	1	EA
42	EVAPORATOR FAN MOTOR	RWEM03	25300701	HEATCRAFT	1	EA
43	SHELF STANDARD	HXSD36	0065007036	KASON	8	EA
44	LIGHT SWITCH***	LRLS01W	LRLS01W	COSPOLICH	2	EA
45	LATCH STRIKE	HXLH06-S	172-2	KASON	2	EA
46	COPPER TUBING WHEEL	RWCTW43M	RWCTW43M	COSPOLICH	1	EA
47	GRILL	GR42*	GR42	COSPOLICH	1	EA
48	ELECTRONIC CONTROLLER ASSEMBLY	RWTT42-PM**	RWTT42-PM	COSPOLICH	1	EA
49	EPOXY SHELF	SEW22AX18B****	SEW31CX19B	NASHVILLE	2	EA
50	DRAIN LINE HEATER	LFDH02	Q10982	SPRINGFIELD	1	EA
51	GRILL WITH CUTOUT FOR ELECTRONIC CONTROLLER	GR42-EC**	GR42-EC	COSPOLICH	1	EA

**\*Not used on models with electronic controller**  
**\*\*Not used on models with standard control panel**  
**\*\*\*Optional accessory, not standard item**  
**\*\*\*\*Used on UCF15-2M-ADS-MLR models only**



**Illustrations 7.A, 7.B – RUT309-PM Condensing Unit Assembly ( 27 )**

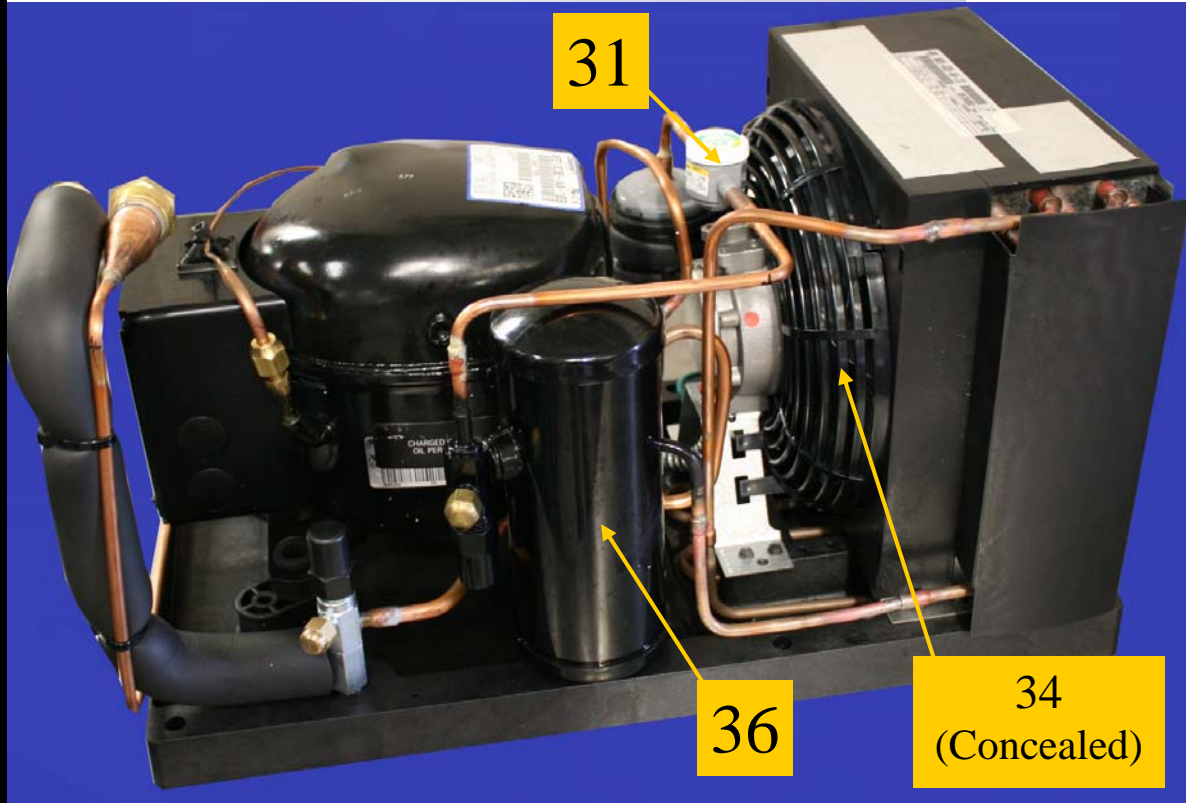


Illustration  
7.A

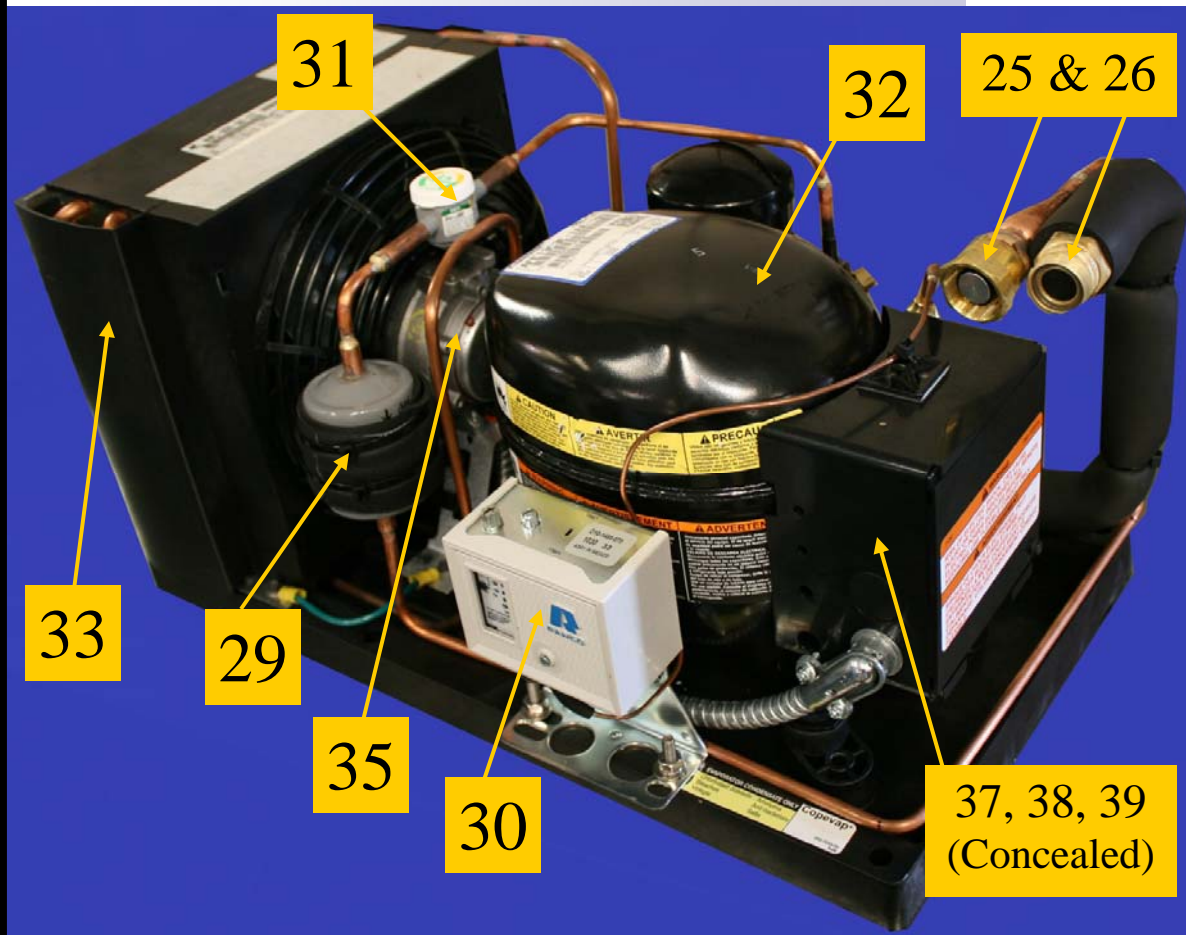


Illustration  
7.B



**Illustrations 7.C, 7.D, 7.E—RWE050-PM Evaporator Coil Assembly ( 22 )**

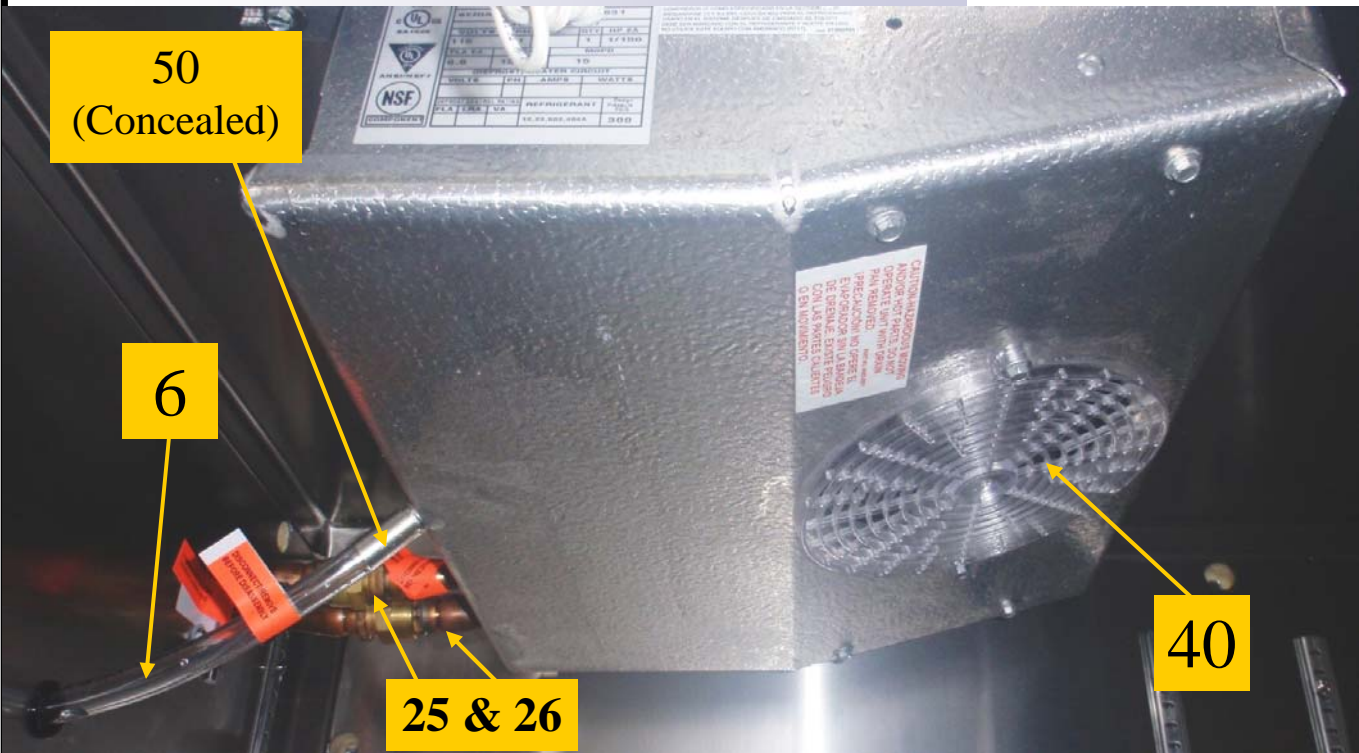


Illustration 7.C

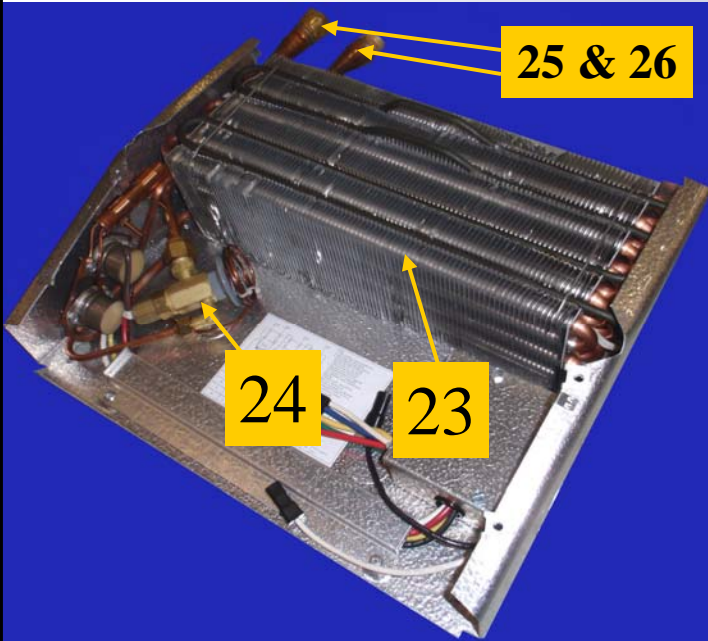


Illustration 7.D

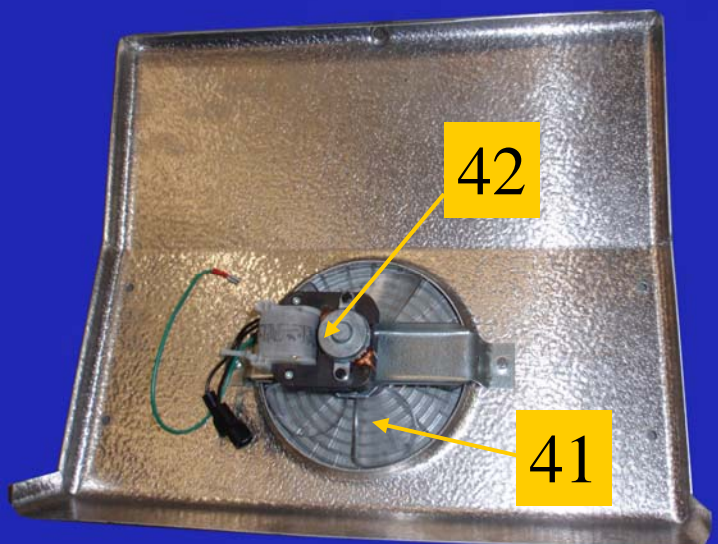


Illustration 7.E

Illustration 7.F – (RCTL07) Control Panel Assembly ( 1 )

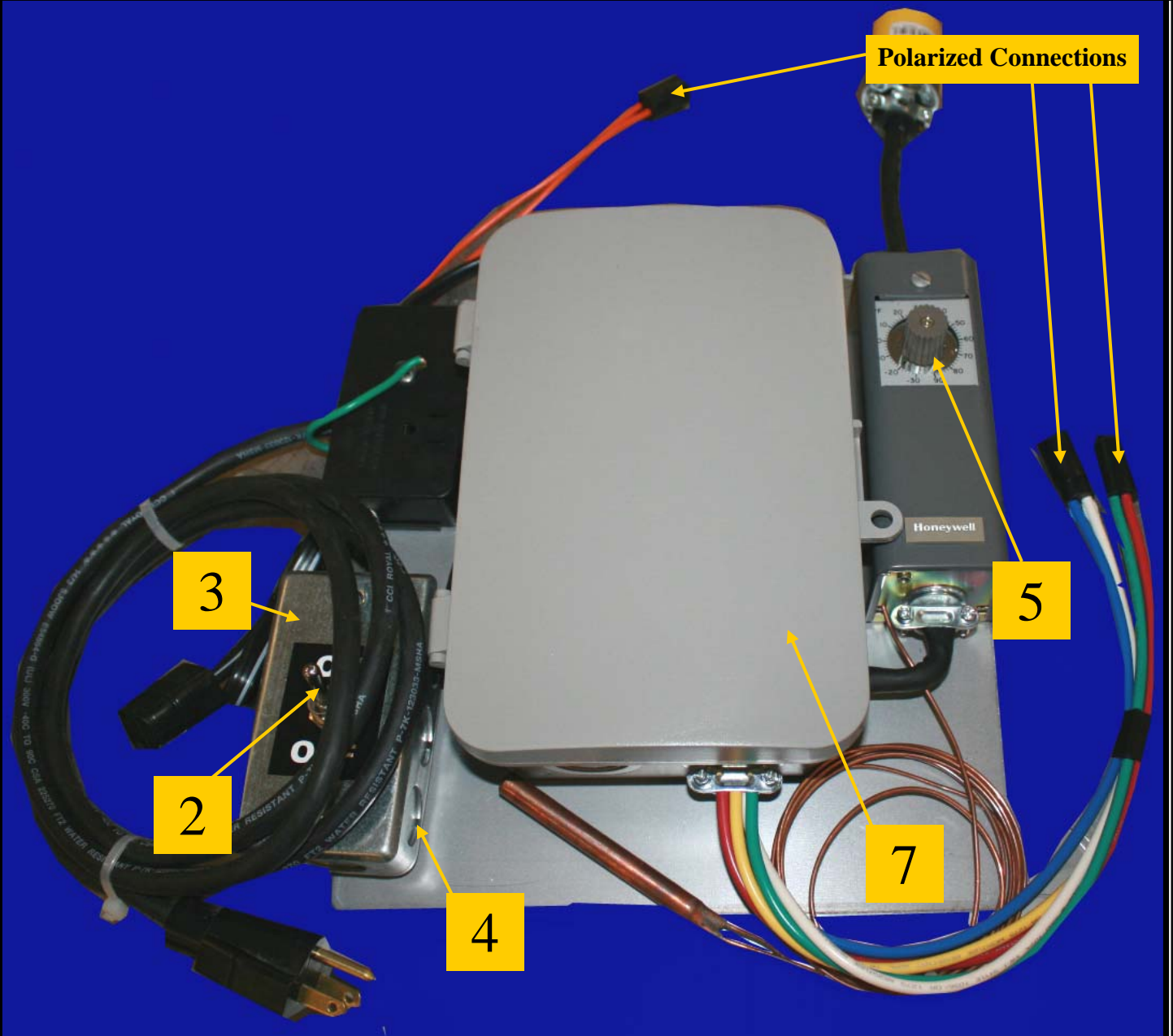


Illustration 7.F

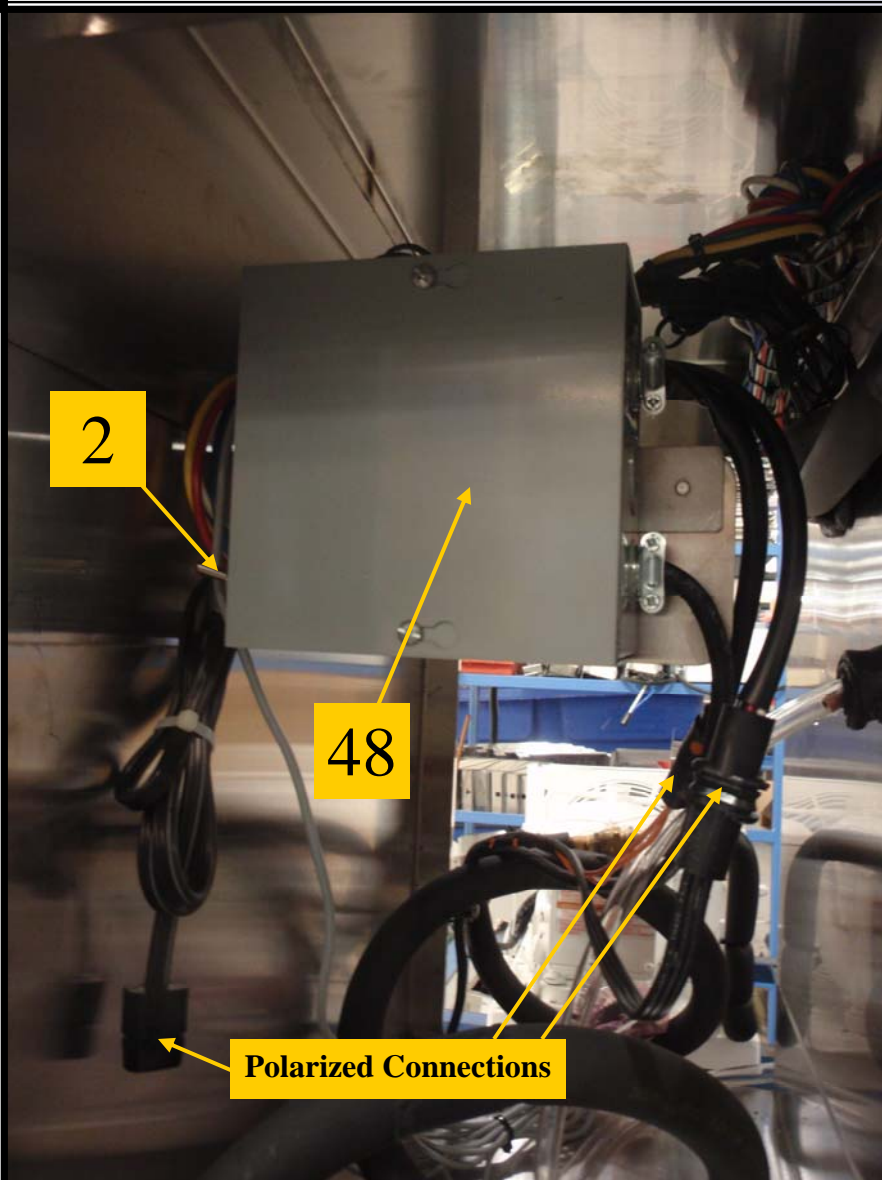


Illustration 7.G



Illustration 7.H



## Illustrations 7.I, 7.J, 7.K—Door Detail

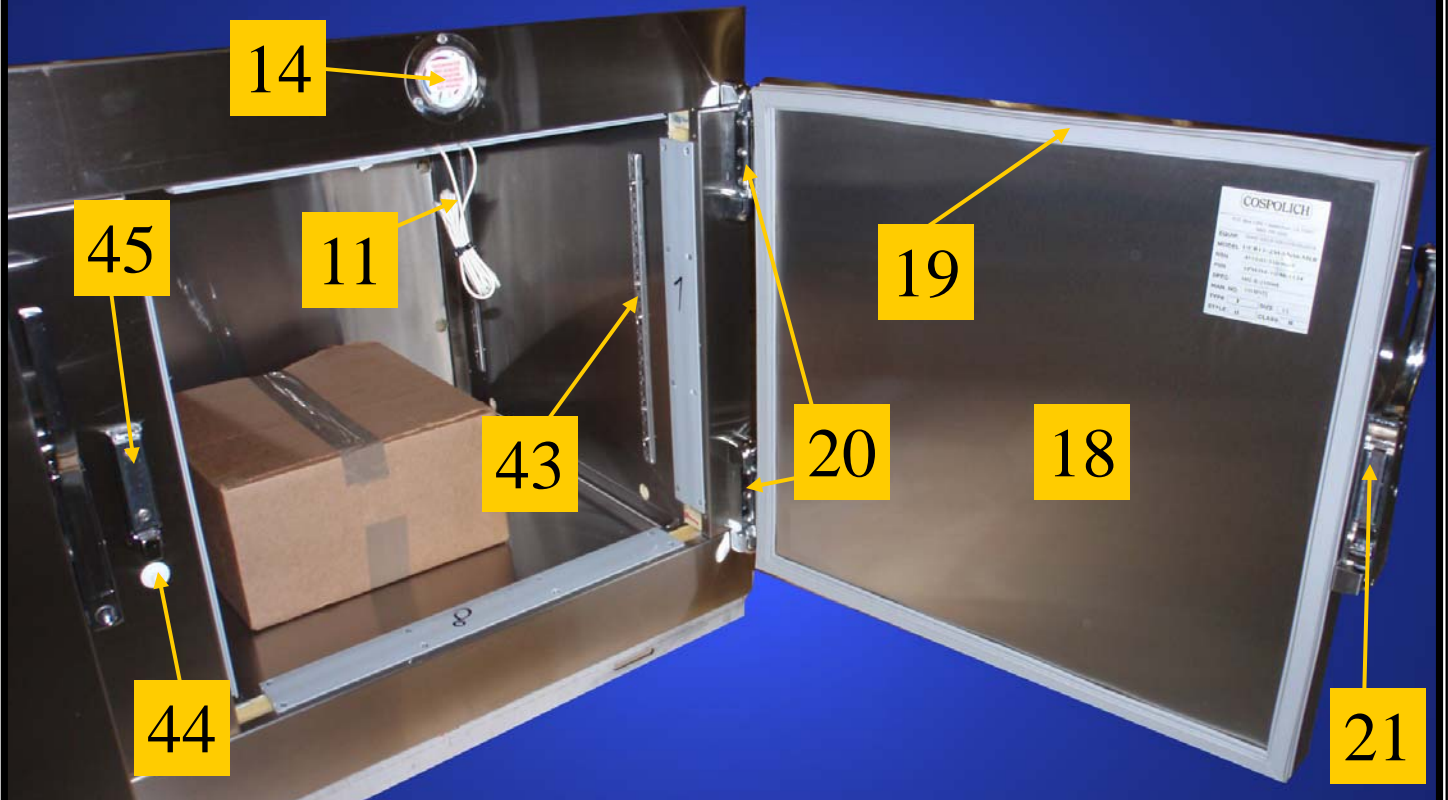


Illustration  
7.J

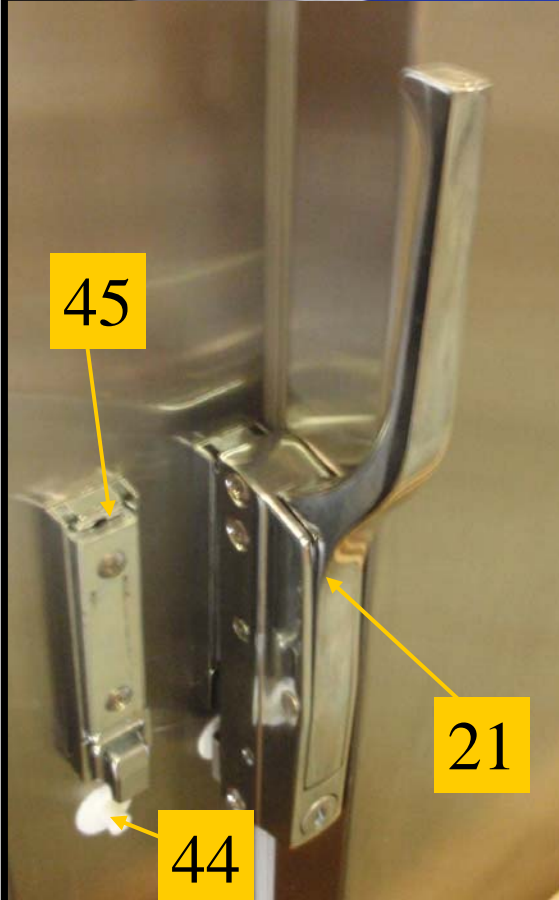
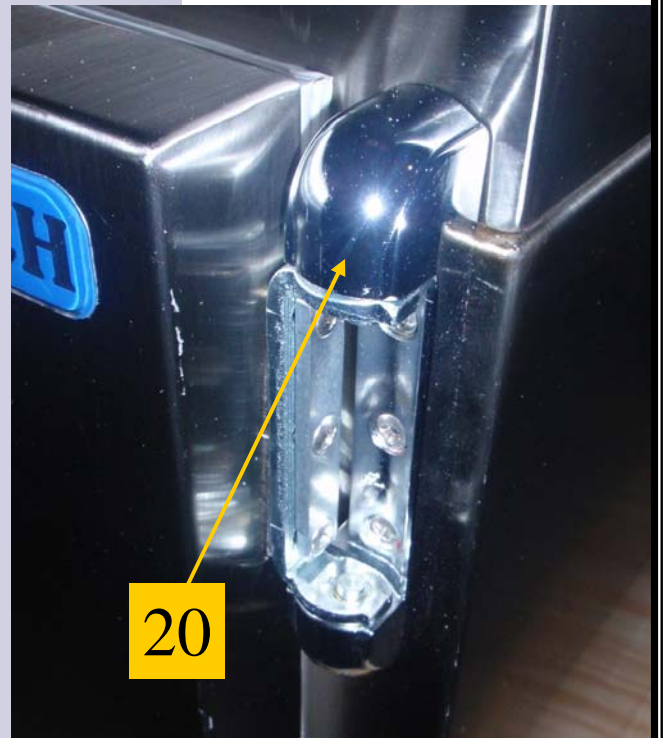


Illustration 7.I  
Door Assembly

Illustration  
7.K



## Illustrations 7.L, 7.M—Main Unit Front/Rear Detail

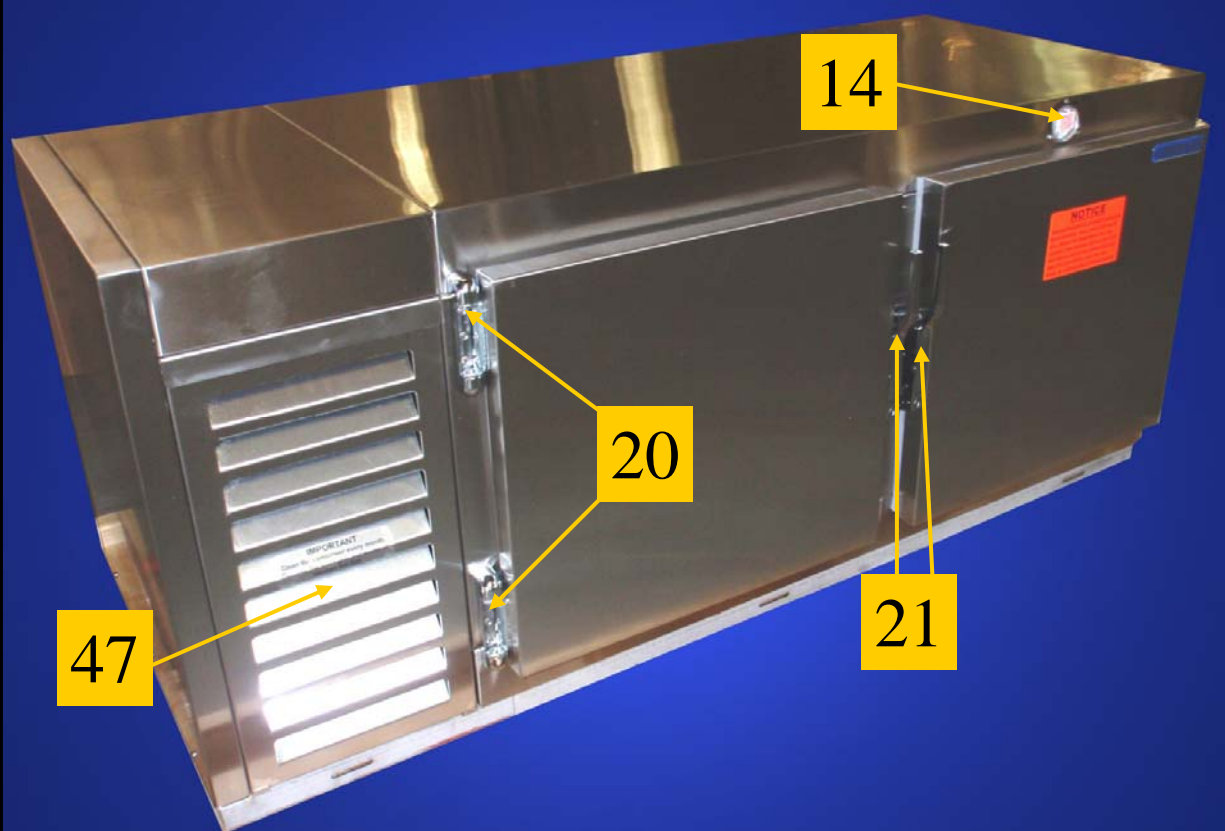


Illustration  
7.L

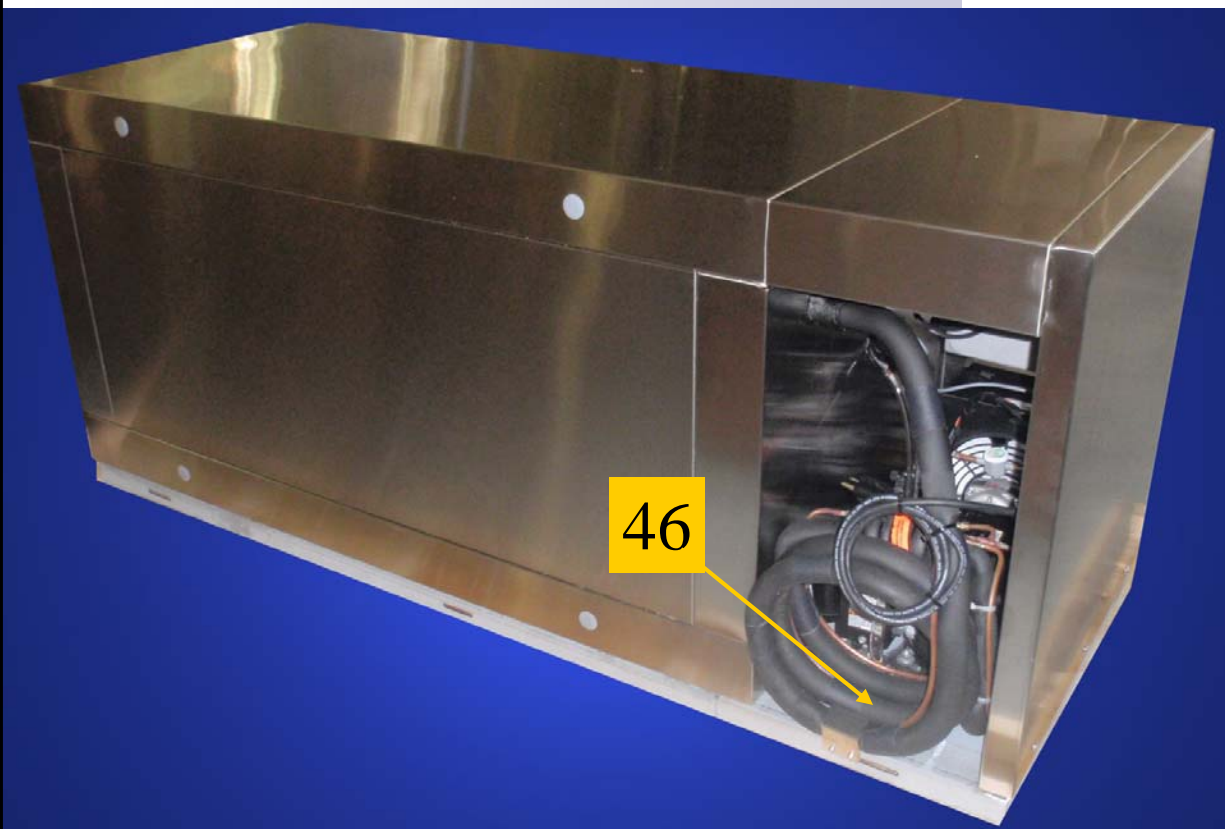


Illustration  
7.M

Illustrations 7.N, 7.O, 7.P—Interior Detail & Accessories

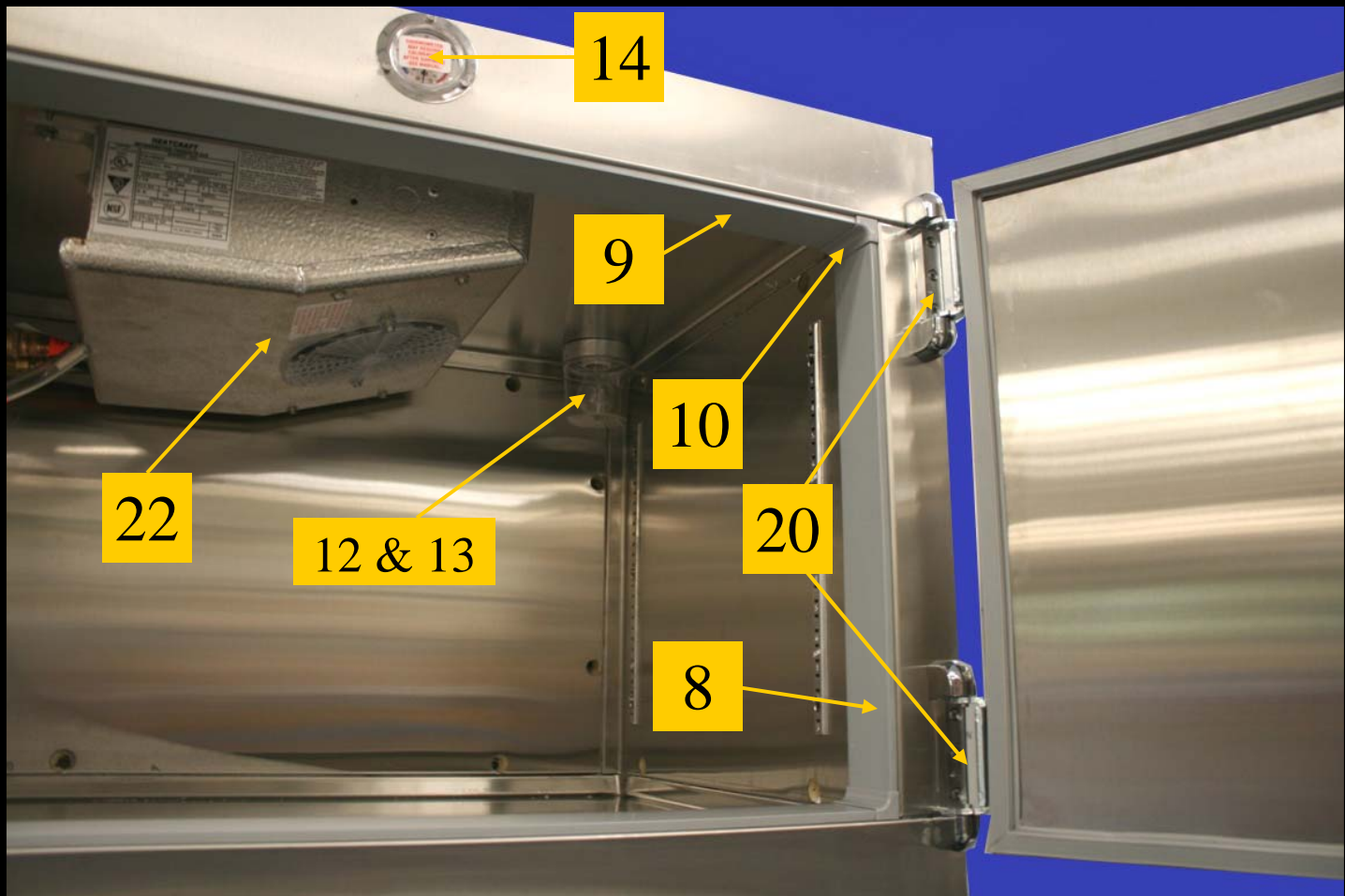


Illustration  
7.N

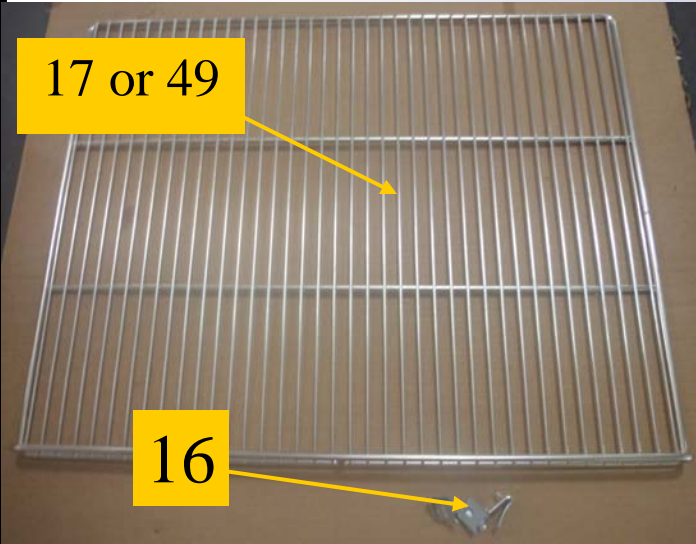


Illustration  
7.O



Illustration  
7.P



# Chapter 8 – Installation

## **8.1 Unpacking**

**Note:** Before unpacking unit, note any crating markings and check for damage to crating and notify the carrier if there should appear to be damage to the equipment.

The unit is shipped from the factory securely fastened to a single shipping pallet protected by an external wrapping.

1. Carefully remove all external wrappings and other protective coverings.
2. Review the installation section of the manual completely prior to installing.
3. Discard crating materials.

## **8.2 Installation**

1. Before moving the unit to the installation site, double-check passageways to make certain that it will move through without modifications.

**Note:** in certain instances, it may be necessary to remove the doors and hardware to negotiate tight spaces.

2. On most shipboard applications, a permanent base is fabricated by the ship builder to accommodate the base frame of the unit. If required Cospolich can furnish a foundation which can be attached to the deck. **Note:** *Not required on units with legs*
3. Once the cabinet has been attached to the ship's foundation, it is necessary to apply a silicone sealant around the complete perimeter at the point that the cabinet base contacts the foundation. **Note:** *Not required on units with legs*
4. Position the unit to allow sufficient ventilation, usually leave a 1" clearance from adjacent bulkheads and other equipment.
5. Level the cabinet from front to back and from side to side. This is important so that when securing to the deck base, the cabinet will not be pulled out of square.
6. Before applying electrical power to the unit, you should first check the electrical characteristics of the appliance and make certain that they agree with those of the electrical supply source. **CAUTION: LOW OR EXCESSIVE VOLTAGE CAN SEVERELY DAMAGE THE ELECTRICAL SYSTEM.**

# Chapter 9 – Modular Installation

## **9.1 Introduction**

By design the modular version of the UCF20-2M-SN-MLR Freezer has been engineered and manufactured to be disassembled and reassembled aboard ship. By following these instructions you can be guaranteed a successful installation. Should questions arise or assistance be needed contact Cospolich customer service at (800)423-7761 or (985) 725-0222. Email cospolich@cospolich.com

## **9.2 Installation Skill Level**

In general the skill level of the installer should be of a journeyman class in the area of mechanic. The primary process will require the following written instructions, use of common tools, and the proper fitting and alignment of the components. The electrical portion of the installation will be minimal, only requiring the unit to be plugged in and all electrical voltages verified.

## **9.3 Tools**

A special wrench was furnished with the cabinet which is needed to operate the camlocks used in the assembly of the equipment. Other common tools required are standard/Phillips screwdrivers and wrenches. If the equipment is to be attached to a foundation, it may be necessary to drill holes.

## **9.4 Primary Components**

Top, bottom, left end, right end, center mullion, 2 ea front doors, back panel, condensing unit compartment housing, condensing unit assembly, evaporator assembly.

## **9.5 Disassembly**

**NOTE:** Prior to disassembly, the unit should be energized and run for 24 hours to check for proper function and that proper cabinet temperature is maintained. If any issues arise, call Cospolich Service Dept. at (800) 423-7761 immediately.

1. Label and remove both doors.
2. Remove front louvered grill.

3. Inside the condensing unit compartment, remove 5 ea 1/4" hex head bolts located at top right side of compartment.
4. Using a Phillips head screwdriver, remove 3 ea screws located at bottom exterior of left end panel. Lift left end panel and remove.
5. Remove/disconnect quick connect fittings from evaporator coil assembly.
6. Disconnect drain line tubing from evaporator coil assembly.
7. Remove fan housing from the evaporator coil assembly.
8. Disconnect electrical supply from evaporator coil assembly fan motors.
9. Unscrew/remove 2 ea rear mountings fasteners from evaporator coil assembly. Unscrew/remove 3 ea mounting fasteners from front of evaporator coil assembly.
10. Remove evaporator coil assembly from compartment.
11. Remove thermostat sensor from left end panel and pass it through the 1.5" refrigeration line hole on left end panel.
12. Unlock all perimeter camlocks on top panel using the provided camlock wrench. **NOTE:** To unfasten camlocks, turn counterclockwise. To tighten camlocks, turn clockwise.
13. Unlock bottom camlock to front mullion, remove front mullion.
14. Unlock all perimeter camlocks to right end panel, remove right end panel.
15. Unlock all perimeter camlocks to back wall panel, remove back wall panel.
16. Disconnect all polarized connections in condensing unit compartment.
17. Unbolt condensing unit assembly, remove condensing unit assembly and copper tubing/steering wheel from compartment.
18. Unlock all perimeter camlocks on left end panel. Remove left end panel.

19. Identify seam in frame located 2" front left end, 3 ea 1/2" bolts holding in place. Each bolt must be unbolted and removed. Frame will split into 2 ea pieces. 2 ea pieces of the base of the cabinet may be handled and moved with ease.
20. Reverse steps to install/reassembly cabinet. **NOTE:** During reassembly, all mullion heater wires must be placed around perimeter of each door opening. Must be installed in between stainless steel surface and gray plastic strip attached to perimeter of door opening. Gray plastic secondary breaker strips (provided loose in cabinet) must then be installed corresponding with numbers/alphabet labels around inside perimeter of door openings.

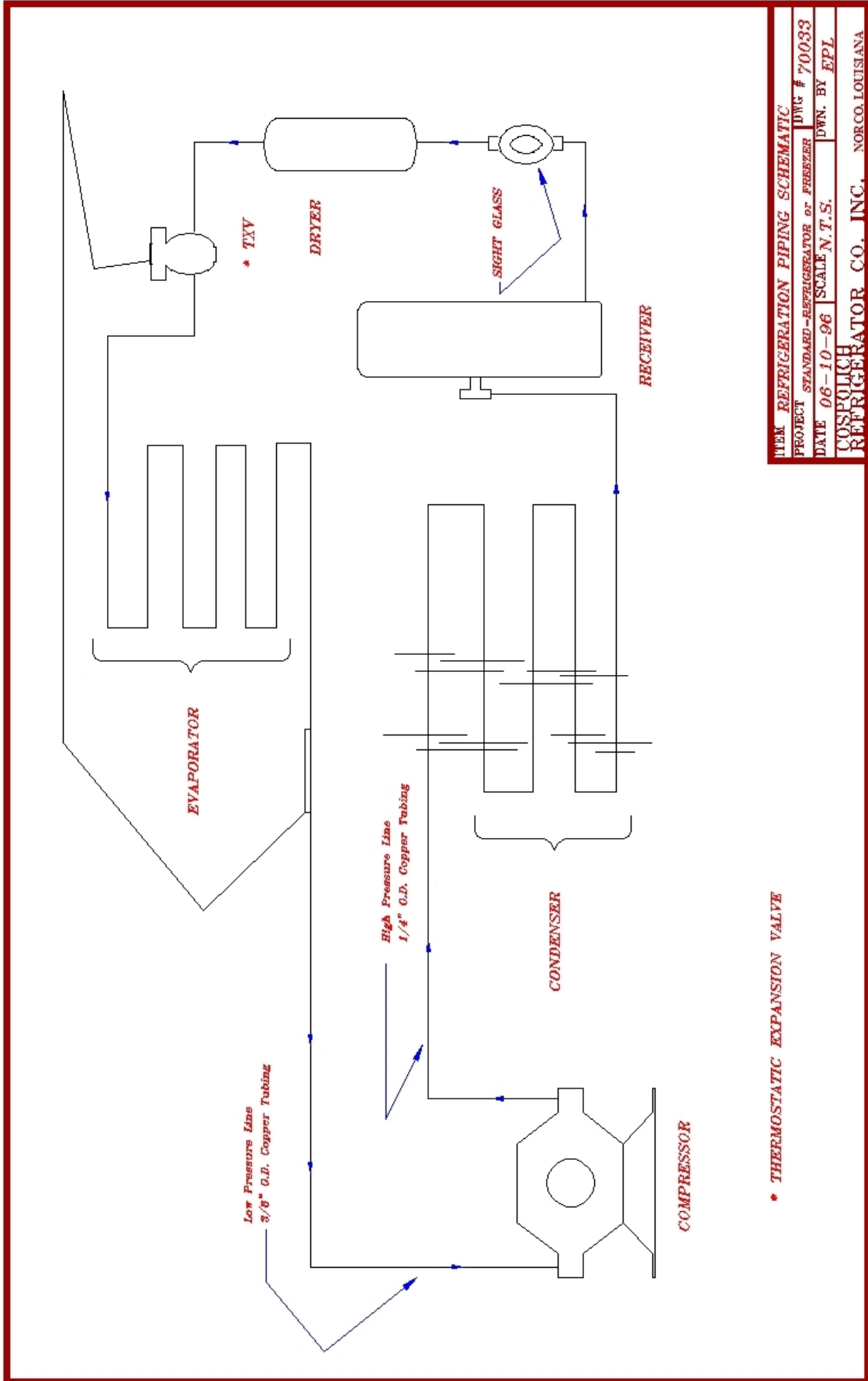
***NOTE:*** *When reassembling the unit on site, all panels must be sealed with beads of gray food-grade silicone (provided) in all female joints. This ensures a proper seal between panels and prevents air, heat, and liquid infiltration. Gray plugs must also be place in all camlock holes when sealing unit prior to initial use. A squirt of silicone in each camlock hole is also recommended for a proper seal. After all panels are assembled, silicone all interior and exterior seams for a final seal.*

# Chapter 10 – Electrical and Mechanical

## *10.1 Introduction*

This section of the manual contains drawings and schematics of the electrical and piping systems.

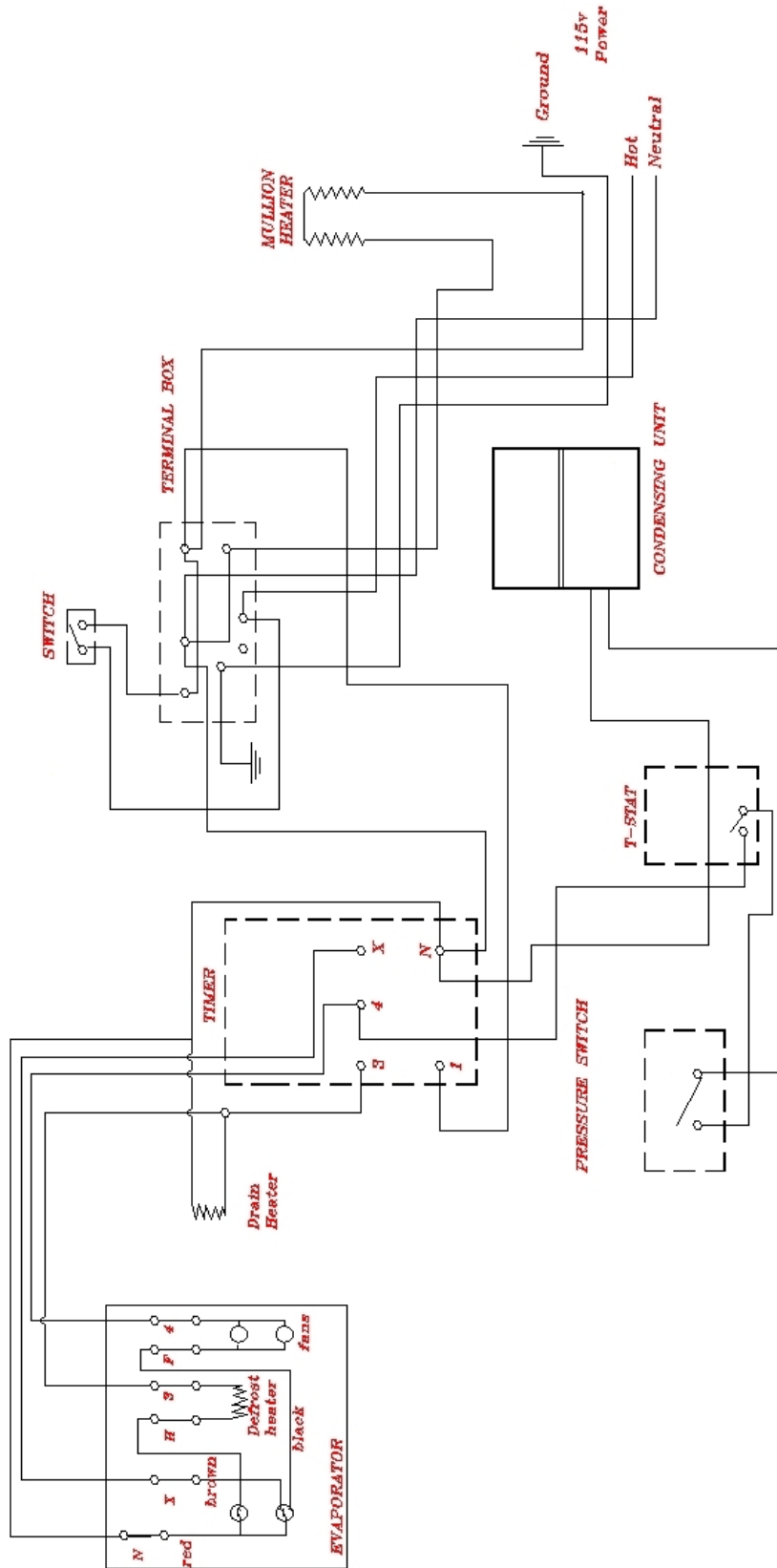
# Illustration 10.A – Mechanical Piping Diagram



\* THERMOSTATIC EXPANSION VALVE

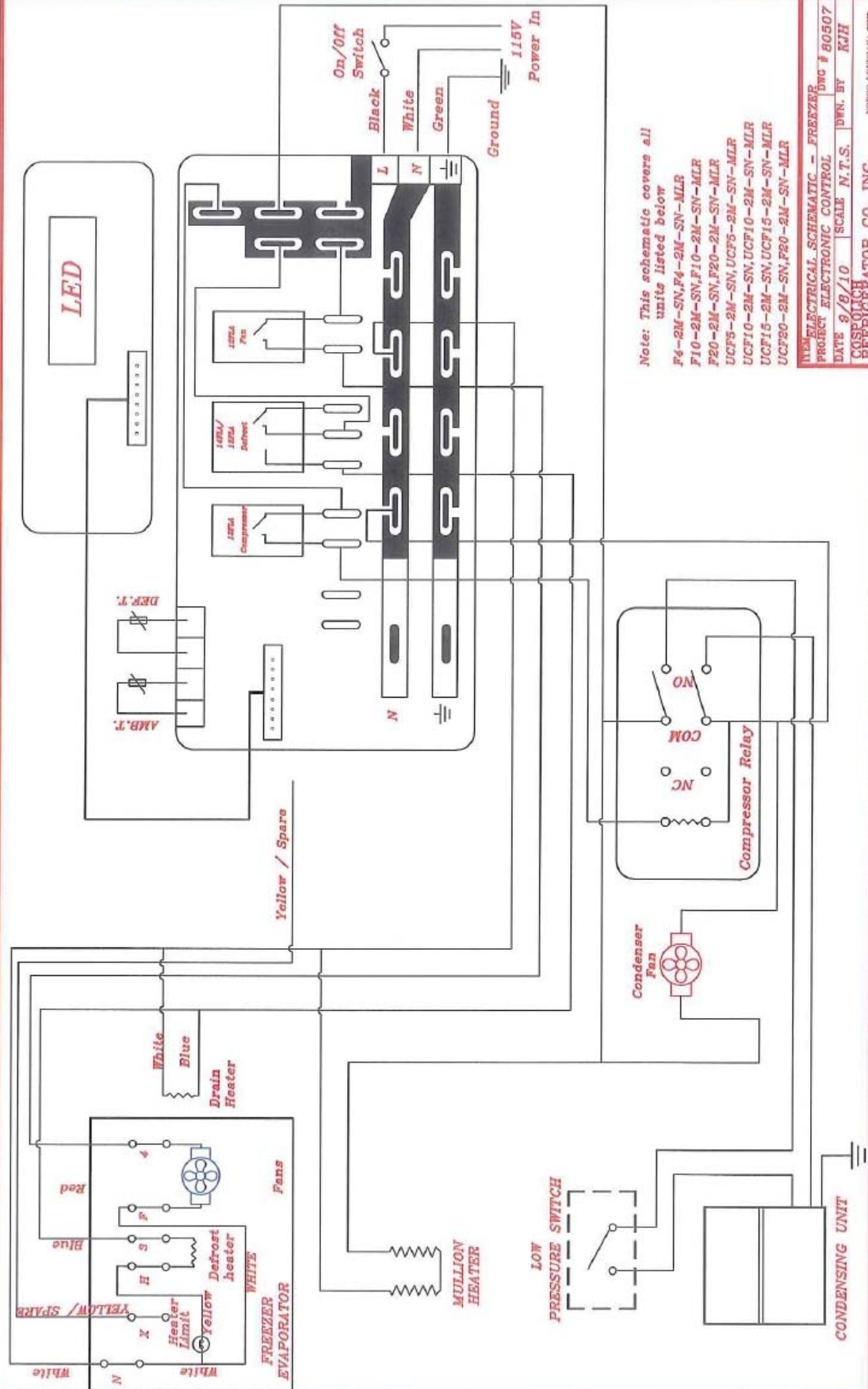


# Illustration 10.B – Electrical Schematic (Standard Controls)



FREEZER - w/o Condensate evaporator  
 NEW ELECTRICAL SCHEMATIC - FREEZER  
 PROJECT STANDARD DWG # 60359  
 DATE 7/29/04 SCALE N.T.S. DWN. BY JH & JG  
 COSMOS REFRIGERATOR CO. INC.  
 NEW ORLEANS, LOUISIANA 70139

# Illustration 10.C – Electrical Schematic (Electronic Controls)



Note: This schematic covers all units listed below  
 F4-2M-SN, F4-2M-SN-MLR  
 F10-2M-SN, F10-2M-SN-MLR  
 F20-2M-SN, F20-2M-SN-MLR  
 UCF5-2M-SN, UCF5-2M-SN-MLR  
 UCF10-2M-SN, UCF10-2M-SN-MLR  
 UCF15-2M-SN, UCF15-2M-SN-MLR  
 UCF20-2M-SN, UCF20-2M-SN-MLR

WELLS ELECTRICAL SCHEMATIC - FREEZER  
 PROJECT: ELECTRONIC CONTROL  
 DATE: 8/9/10 SCALE: N.T.S. DWN. BY: KJH  
 COSMOS  
 REFRIGERATOR CO., INC.  
 NORCO, LOUISIANA, 70079

# Chapter 11 – Limited Warranty

Cospolich Inc. warrants their cabinets to consumers against defects in material or workmanship under normal use and service for a period of one year from the date of the shipment. We will repair or replace at our option, any part, assembly or portion thereof which Cospolich's examination discloses to be defective. Cospolich will pay the labor costs for the repair up to twelve (12) months from date of shipment.

In instances where the purchaser is not the owner in possession and the acceptance of Cospolich equipment is closely tied to the completion and delivery of the project, our warranty will begin on the acceptance date and will extend for one year.

## Terms

### Exclusions

Cospolich's obligations under this warranty shall not extend to any malfunction or other problem caused by unreasonable use, such as but not limited to, improper setting of controls, improper installation, improper voltage supply, loose electrical connections or blown fuses, and damage not attributable to a defect in workmanship. This warranty shall not apply to any cabinet or component part that has been suspect to any accident, alteration, abuse, misuse to any damage caused in fire, flood, or other acts of God and to any product that has been serviced by an unauthorized service person or company.

### To secure Warranty Service

If you claim a defect under this warranty, direct your claim to whom you purchased the product, giving model, serial and code numbers with a description of the problem. Telephone calls should be directed to the service department at (800) 423-7761 or (985)725-0222 with fax request going to (985) 725-1564.

If the above procedure fails to satisfy your claim, you may write directly to the following address including the above identifying information.

**DIRECTOR of CUSTOMER RELATIONS  
COSPOLICH INC.  
P.O. BOX 1206  
DESTREHAN, LA 70047**

There is not other express warranty on the Cospolich units except the terms stated herein. Any implied warrants of fitness and merchantability are limited in duration to the duration of this Warranty. The liabilities of Cospolich are limited solely and exclusively to replacement as stated herein and do not include any liability for any incidental, consequential or other damages of any kind whatsoever, whether any claim is based upon theories of contract negligence or tort. Some states do not allow limitations on how long an implied warranty lasts, or the exclusion of limitations of incidental or consequential damages. So the above limitations and exclusions may not apply to you. This warranty gives you specific legal rights and you may also have other rights that vary from state to state.

