



Shipboard Modular Thaw Cabinet
Technical Manual

Installation, Operation, and Maintenance Instructions

Models:

THW30-2M-SBNM-MLR



Table of Contents

<p>List of Illustrations..... 3</p> <p>List of Tables..... 4</p> <p>Chapter 1 General Information..... 5-7</p> <p> 1.1 Introduction..... 5</p> <p> 1.2 Scope..... 5</p> <p> 1.3 Equipment Description..... 5</p> <p> 1.4 Equipment Supplied..... 5</p> <p> Table A Leading Particulars..... 6</p> <p> Illustration 1.A Main Unit Drawing..... 7</p> <p>Chapter 2 Operation..... 8</p> <p> 2.1 Introduction..... 8</p> <p> 2.2 Controls and Indicators..... 8</p> <p> Table B Controls and Indicators..... 8</p> <p> Illustrations 2.A, 2B..... 9</p> <p> 2.3 Start-up Procedure..... 10</p> <p> Table C Start-up Procedure..... 11</p> <p> Table D Shut Down Procedures..... 12</p> <p> 2.4 Shutdown Procedure Short Term..... 12</p> <p> Table E Shutdown Procedure Short Term..... 12</p> <p> 2.5 Cleaning Instructions..... 12-13</p> <p> 2.6 Extended Period Inactivity..... 13</p> <p> Table F Shutdown for Extended Period..... 13</p> <p>Chapter 3 Functional Description..... 14</p> <p> 3.1 System Description..... 14</p> <p> 3.2 System Operation..... 14</p> <p>Chapter 4 Scheduled Maintenance..... 15-17</p> <p> 4.1 Introduction..... 15</p> <p> 4.2 Preventive Maintenance Index..... 15</p> <p> 4.3 Preparation for Maintenance..... 15</p> <p> 4.4 Maintenance Procedures..... 15</p> <p> A. Monthly Maintenance Requirements.. 15</p> <p> B. Bi-Monthly Maintenance Requirements. 16-17</p> <p> C. Annual Maintenance Requirements.. 17</p> <p> D. 3-Year Maintenance Requirements.. 17</p> <p> Table G Preventive Maintenance..... 18</p> <p>Chapter 5 Troubleshooting..... 19</p> <p> Table H Mechanical & Electrical..... 19</p> <p>Chapter 6 Corrective Maintenance..... 20</p> <p> 6.1 Introduction..... 20</p> <p> 6.2 Repair Procedures..... 20</p> <p> 6.2.1 Compressor Fan Motor..... 20-22</p> <p> 6.2.2 Low Pressure Control..... 22</p>	<p> 6.2.3 Thermal Expansion Valve (TXV)..... 23</p> <p> 6.2.4 Filter Dryer..... 23</p> <p> 6.2.5 Condenser Fan Motor..... 23</p> <p> 6.2.6 Condenser Fan Blade..... 23-24</p> <p> 6.2.7 Anti-Condensate Heater Wire..... 24</p> <p> 6.2.8 Door Latch..... 24</p> <p> 6.2.9 Door Hinge..... 25</p> <p> 6.2.10 Door Gasket..... 25</p> <p>Chapter 7 Parts List..... 26-28</p> <p> 7.1 Introduction..... 26</p> <p> 7.2 Source Codes..... 26</p> <p> Table I Source Codes..... 26</p> <p> Table J Parts List THW30-2M-SBNM-MLR..... 27-29</p> <p> Illustration 7.A—7.B Condensing Unit Assy 30</p> <p> Illustration 7.C—7.E Evaporator Coil Assy 31-32</p> <p> Illustrations 7.F—7.H Control Panel Detail 33-35</p> <p> Illustration 7.I—7.L Door Detail 36</p> <p> Illustration 7.M Interior Detail 37</p> <p> Illustration 7.N—7.P Main Unit Front/Rear 38</p> <p>Chapter 8 Installation..... 39</p> <p> 8.1 Unpacking..... 39</p> <p> 8.2 Installation..... 39</p> <p>Chapter 9 Modular Installation 40-42</p> <p> 9.1 Introduction..... 40</p> <p> 9.2 Installation Skill Level..... 40</p> <p> 9.3 Tools..... 40</p> <p> 9.4 Primary Components..... 40</p> <p> 9.5 Disassembly..... 40-42</p> <p>Chapter 10 Electrical & Mechanical..... 43-45</p> <p> 10.1 Introduction..... 43</p> <p> Illustrations 9.A—9.B..... 44-45</p> <p>Chapter 11 Warranty..... 46</p> <p>Appendix 1 Revision History..... 47</p>
--	---

List of Illustrations

Figure	Title	Pg.
1.A	General Arrangement Drawing — THW30-2M-SBNM-MLR	7
2.A	RCTL30—Control Panel Detail	9
2.B	RUT390-PTM Condensing Unit Assembly	9
7.A	Condensing Unit Assembly-RUT390-PTM, Left Side View	30
7.B	Condensing Unit Assembly-RUT390-PTM, Right Side View	30
7.C	Evaporator Coil Assembly—TECA01(T), Outer Detail	31
7.D	Evaporator Coil Assembly—TECA01(T), Interior Detail	32
7.E	Evaporator Coil Assembly—TECA01(T), Fan Motors Door Detail	32
7.F	RCTL30, Control Panel Outer Detail	33
7.G	RCTL30, Interior Detail	34
7.H	RCTL30, Front Access Door Detail	35
7.I	Door Hinge Detail	36
7.J	Door Latch Detail	36
7.K	Door Strike Detail	36
7.L	Door End Latch Detail	36
7.M	Interior Detail	37
7.N	Main Unit-Front Detail View	38
7.O	Main Unit-Rear Detail View	38
7.P	Accessories-Product Pan & Shelf Detail	38
9.A	Mechanical Piping Diagram	44
9.B	Electrical Schematic (Standard Controls)	45

Chapter 1 – General Information

1.1 Introduction

This technical manual provides information on the installation, operation, maintenance, and inspection of this unit manufactured by **Cospolich Inc.**, Destrehan, Louisiana. A complete parts breakdown is provided in Chapter 7.

1.2 Scope of the Manual

This technical manual provides information for installation, operating, preventative maintenance, and service instructions, including applicable drawings and figures of the equipment.

1.3 Equipment Description

The unit consists of the following parts:

- A. Storage Compartment - The storage compartment is clear storage area. Included in this area are the product pans.
- B. Door(s) – Access to the storage compartment is through hinge mounted door(s).
- C. Condensing Unit & Controls Compartment- The condensing unit and controls compartment is located below the storage compartment of the cabinet. Access to this compartment is through an removable grill on the front left of the cabinet.
- D. Evaporator Coil Assembly– The evaporator coil assembly is located in the storage compartment and is responsible for distributing the cold air associated with the refrigeration system.
- E. Cabinet - The cabinet is the enclosure in which all of the above items are housed.

1.4 Equipment Supplied

The unit is shipped from the factory fully assembled, palletized and crated to minimize the possibility of damage in shipping and storage.

Table A – Leading Particulars

MANUFACTURER:	Cospolich Inc. Destrehan, Louisiana 70047
TYPE:	Marine Shipboard Modular Thaw Cabinet
MODEL:	THW30-2M-SBNM-MLR
PURPOSE:	Safe Thawing of Frozen Food Items/Perishables
ELECTRICAL REQUIREMENTS:	Power Supply - 115 Volt AC, 60 Hz, 1 Phase Amp draw - RLA: 7.8 Amps - Max Fuse: 15 Amps
REFRIGERANT:	404A
DRAIN:	Not Required
DIMENSIONS:	41.75" WIDE X 33" ACTUAL CABINET DEPTH X 72" HIGH

Illustration 1.A – General Arrangement Drawing

General Data:

DIMENSIONS	41.75"W x 36"D x 72"H
INSULATION	Polystyrene
EXTERIOR FINISH	18 GA. 304 Stainless Steel
INTERIOR FINISH	18 GA. 304 Stainless Steel
GASKET	Resilient Vinyl
MULLION HEATER	Braided 2.5 Watts/Ft.
OPERATING TEMPERATURE	37 Degrees F.
OPERATING MODES	Thaw or Refrigerator
AIR TURNOVER	10 1/2 Times per Minute
AIR DUCT	Rear Wall
CONTROLS	Automatic Thermostat
HEAT	860 Watts
FANS	(6) Stainless Steel
REFRIGERATION	1/8 hp Condensing units
REFRIGERANT	R344
VOLTAGE	115VAC / 1-Phase / 60 Hz
VENTILATION	Intake front, exhaust front.
THERMOMETER	Digital thermometer mounted in control panel.

Depicts Center of Gravity
(x, y, z) = (81", 28", 28")

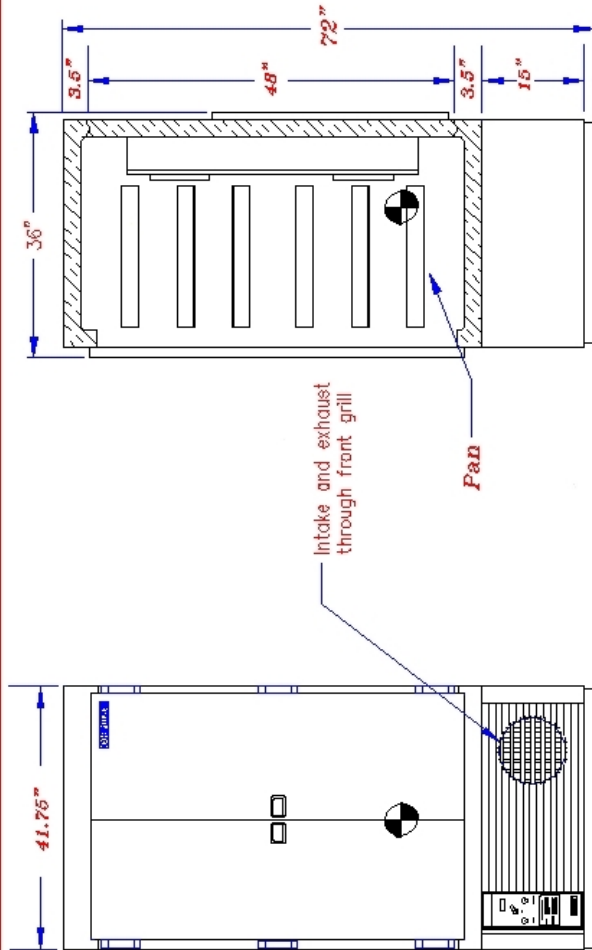
Modular Panel Sizes:

Ends	93" x 49" x 2.5"
Back	94.75" x 48" x 2.6"
Top	41.75" x 38" x 3.75"
Bottom	41.75" x 33" x 18.5"
Doors	19.39" x 50" x 2"

REVISIONS:

- A: 4/5/02 - Modified Item Description
- B: 7/24/02 - Added center of gravity
- C: 1/28/03 - Made unit front breathing. Added base frame view and changed model number. Modified width, depth, and height dimensions.
- D: 2/8/03 - Added gussets to frame, deleted holes
- E: 6/03/06 - Corrected dimension of back panel and refrigeration compartment. (EL)

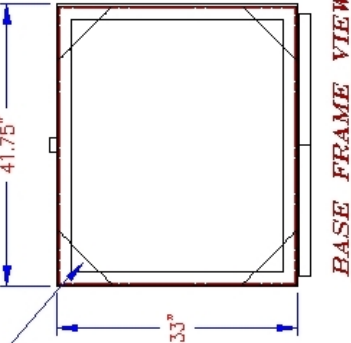
MODEL #	THW30-2M-SBMM-MJR	REV.	E
ITEM	Modular Thaw Cabinet		
PROJECT	Trident Group		
DATE	4/4/02	SCALE	N.T.S.
DWG #	91039	DWN. BY	TW
COSPOLICH REFRIGERATOR CO., INC. NORCO, LOUISIANA			



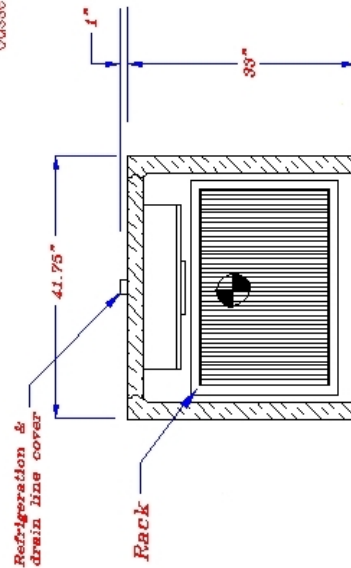
VERTICAL SECTION

1/4" Mild Steel Gusset (typical)

ELEVATION



BASE FRAME VIEW



HORIZONTAL SECTION

Fabrication can proceed according to these specifications, except as noted:

Approved By: _____
Date: _____

Chapter 2—Operation

2.1 Introduction

These models are heavy-duty pieces of food service equipment designed for intermittent use. They incorporate electronic controls to regulate the cycling and temperature of the refrigeration system.

2.2 Table B—Controls and Indicators

Name	Type	Function
Power Switch	On/Off Switch	Power Control, terminates all electrical into and past the supply cord
Low Pressure Switch	Contact Points	Cycles the refrigeration system (automatic)
Suction Valve	Manual Plunger Valve	Isolate suction at the compressor
Discharge Valve	Manual Plunger Valve	Isolate Discharge line at receiver

Illustrations 2.A, 2.B Control Panel & Condensing Unit Assembly



Illustration 2.A
RCTL30
Control Panel

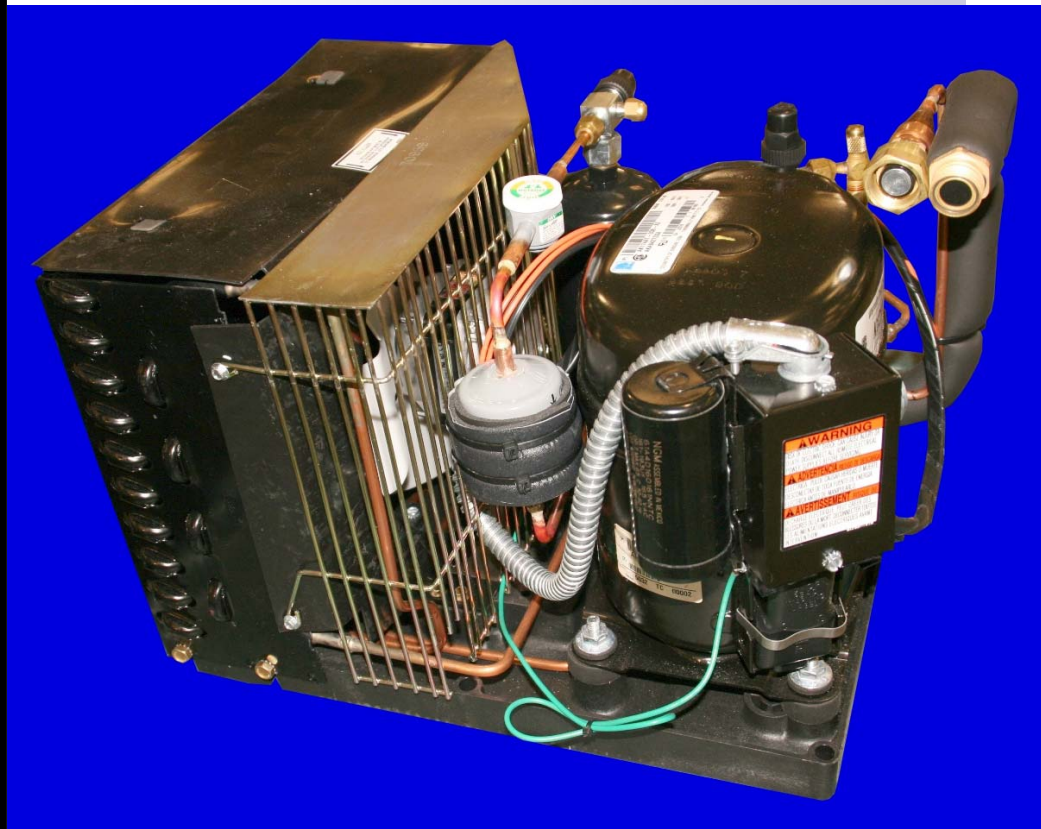


Illustration 2.B
RUT390-PTM
Condensing
Unit Assembly

2.3 Start-Up Procedures

The refrigeration system is completely factory assembled, pre-charged, and ready for operation. To energize the unit, it is only necessary to find the power supply cord and connect it to a proper 115V power source. Once the supply cord has been connected to a power source, the unit can be started by toggling the power control switch to either of the "Refrigeration" or "Thaw" positions.

Note: *On modular units (MLR suffix in model number) the equipment will require dismantling.*

Table C – Start-Up Procedure

	Operation	Results
1.	Activate system by connecting electrical service cord to power supply.	This brings power to the control. The compressor should immediately come on line along with the condenser fan and the evaporator fan(s)
2.	Place power switch to "Refrigeration" or "Thaw" position	This brings power to the controls.
3.	Locate liquid refrigerant indication glass mounted on the receiver	Once the system has been operating for two minutes, the glass should appear clear and full of liquid refrigerant.
4.	Wait 15 minutes	The temperature in the storage area should begin to drop.
5.	Wait 3 hours	Once the operating temperature has been reached, stocking of the cabinet are can begin.

2.4 Shut Down Procedure for Short Term

To shut down, switch the power control to the "OFF" position.

Table D—Shut-Down Procedure for Short Term

	Operation	Results
1.	De-energize the system by flipping the power control switch "OFF".	Once the system is de-energized the cabinet has no power.



WARNING: PRIOR TO CLEANING ANY OF THE UNIT, THE SYSTEM SHOULD BE DEACTIVATED BY DISCONNECTING THE POWER SUPPLY.

2.5 Cleaning Instructions

1. It is necessary that the power source be turned off..
2. Remove all shelves.
3. Wipe entire unit using a clean cloth or sponge with a mild detergent.



WARNING: DO NOT SPLASH OR POUR WATER ONTO THE EVAPORATOR ASSEMBLY, CONTROL PANEL, CONDENSING UNIT AND/OR WIRING.



CAUTION: POSSIBLE SHOCK HAZARD MAY RESULT AND UNIT MAY BE DAMAGED SHOULD ELECTRICAL COMPONENTS BECOME WET.

4. A plastic scouring pad may be used in the storage area to remove any hardened food particles.
5. When cleaning is finished, rinse the inside thoroughly with a solution of vinegar and water to neutralize all detergent/cleaner residue.

Important: It is not recommended to use any strong or caustic cleaners on the Thaw Cabinet. Do not allow ammonia to stand in the interior of the unit. Make certain to rinse thoroughly to remove all residue. Failing to do so may cause damage or corrosion to the unit.

2.6 Preparation for an Extended Period of Inactivity

This unit is designed for periodic use. For extended shut down the electrical should be disconnected and the interior cleaned.

Table E – Shut-Down Procedure for Extended Period

	Operation	Results
1.	Fully close discharge valve at the receiver	Compressor will pump liquid refrigerant from system to receiver.
2.	Fully close suction valve at the compressor	This will isolate the refrigerant between the two valves.
3.	De-energize the system by flipping the power control switch to the "OFF" position and disconnecting the electrical supply cord.	De-energizes system. The condenser fan and evaporator fan(s) will cease operation.
4.	Clean and wipe dry the food storage compartment	This will reduce the odor buildup during shut down period.

Chapter 3 – Functional Description

3.1 System Description

The unit is a self-contained, automatically controlled, continuous duty perishable food storage system. It is designed with the intent and purpose of storing perishable food items.

The operating temperature is automatically monitored by the electronic controls that are factory set to maintain a predetermined adequate storage condition.

The equipment is comprised of the following two basic compartment assemblies:

1. Condensing Unit Compartment—This area contains the condensing unit along with the control panel assembly.
2. Storage Compartment—The insulated food storage area is a temperature controlled refrigerated area. Included in this compartment are the product pans and evaporator coil assembly.

3.2 System Operation

The design of the thaw cabinet focuses primarily on the safe thawing of frozen food products requiring refrigeration. In engineering, considerable attention was placed on not only its functionality, but also serviceability.

The refrigeration system is a closed loop system. Barring a leak in the system, the addition of refrigerant will not be necessary. A periodic check of the refrigerant level, however, is recommended to insure that the system operates at the optimum level at which it was designed.

The chilled food compartment is designed for the storage of perishable food items that require a temperature range of 37 to 40°F on refrigerators and –5 to 0°F on freezers. It is a general rule that adequate spacing is allowed between the stored items to allow for proper air circulation.

Chapter 4—Scheduled Maintenance

4.1 Introduction

To insure the longest and most trouble free operation, a thorough periodic maintenance schedule is required. The maintenance system should be aimed at maximizing the efficient utilization of maintenance personnel, minimizing down time, and providing the orderly acquisition of spare parts support.

The Cospolich Thaw cabinet will generally be in operation in a facility or on-board a vessel where scheduled maintenance is performed according to Maintenance Index Plans. This unit requires regular maintenance. This chapter is intended as an alternative to any standard maintenance program that may pre-exist. The preventative maintenance schedule is based upon similar maintenance requirements for commercial refrigeration equipment.

4.2 Preventive Maintenance Action Index

If there is not a maintenance index plan, we have formulated our schedule for periodic maintenance in Table G.

4.3 Preparation for Maintenance

Since many areas affected in the maintenance schedule are electrically supplies, it may be necessary to de-energize the system when making these inspections.

4.4 Maintenance

A. Monthly Maintenance

1. The unit should first be de-energized by switching the toggle switch to the "OFF" position. The switch is found on the electronic control panel assembly on the lower front face of the unit.
2. Using a vacuum or soft brush/broom, brush the condenser fins in a vertical motion to remove dust or debris.

B. Bi-Monthly Maintenance

1. Check the drain line at both the inlet and outlet ends to make certain that there are no obstructions (forced air evaporator models only). It is not recommended to use any chemicals in clearing a clogged drain. The preferred method is to use compressed air, with approximately 60 psi being sufficient to free most clogs or obstructions. To do so, simply remove the drain line at the evaporator coil and attach an air line to it.
2. With the unit in a cooling cycle, use a flashlight and locate the refrigerant sight glass. If the compressor has been running for 3 or more minutes, there should be no visible bubbles.

A. If bubbles are present:

- Determine if there is a leak by using a halide or electronic leak detector.
- Repair any/all leak(s).

Warning: *The system should be de-energized when checking for leaks*

B. To repair leaks:

1. Flared Fitting: Can often be repaired by simply tightening the brass flare nut 1/4 of a turn. If tightening does not repair the leak, it may be necessary to re-flare the tubing.
2. Brazed Joint: It is necessary to pump down the system's refrigerant charge to remedy the problem. To pump the refrigerant into the receiver, you must first connect service gauges to the system at the suction valve on the compressor and the liquid valve on the receiver. Purge the gauges before opening the systems valves to avoid contamination. Run the receiver (liquid or high pressure) valve all the way in to stop the refrigerant from exiting the receiver. Start the unit and allow it to run until the suction or low pressure gauge reads 5lbs., de-energize the system. Once pumped down, the necessary repairs can be made.

3. Using a mild non-abrasive detergent and soft cloth, wipe the interior lining beginning with the top and working down. Also, wipe the gasket and where it sits on the cabinet interior.
4. Remove the louvered air grill and unbolt the condensing unit, then slide it out. The unit is capable of being completely removed due to the extra tubing coiled up behind/beside the unit. With the unit de-energized, check the condenser fan motor and make certain that it is secure and not loose. Inspect the fan blade for cracks and make sure it is tight on the motor.
5. To inspect the evaporator motor, de-energize the unit. Remove the drain line from the evaporator pan. Loosen the screws that hold the shroud. Lower the shroud and disconnect the polarized electrical connection. With the shroud out of the cabinet, proceed to inspect the motor mounting bolts and the fan for cracks or excessive play. **NOTE:** In vertical style evaporators, lift/remove the side cover to examine the evaporator fans, which should be clearly visible and accessible.
6. Using a mild detergent and water, wipe the vinyl gasket. Make certain to clean under the gasket to remove any mildew or residue that may have accumulated.
7. Using a mild, non-abrasive detergent and water, wipe the cabinet exterior, paying careful attention to wipe the cabinet in the direction of the stainless steel grain texture.

C. Annual Maintenance

1. Slide the condensing unit out and check all refrigerant lines for leaks or fatigue, making sure no copper lines are in direct contact with any other metal surfaces. If contact exists, place an insulated material between the two surfaces.
2. Inspect electrical connections to make certain that there is a good contact and that wires are neither weakened or frayed.
3. Inspect the integrity of the cabinet.
4. Check all bolts and screws to make sure they are tight and secure.

D. Three Year Frequency Maintenance

1. Replace all door gaskets. To do so, first remove all products from the refrigerated compartment. Using a Phillips screwdriver, remove the door from the cabinet and lay it on a flat surface, gasket facing up. Lift the flange off the gasket and remove all screws securing it to the door. Remove the original gasket and replace with a new one. Reinstall all screws and mount door back onto cabinet.
2. Inspect all motors and shafts for noise & wear, replace if necessary.
3. With the unit de-energized, remove the condensing unit from its compartment and inspect all wiring for signs of fatigue or wear.
4. Inspect the operation of the door latch assembly (when applicable). Check for signs of wear, loose screws, or mechanical failure.
5. Inspect the operation of the door hinges. To do so, open the door at a 90° angle to the cabinet and lift on the outer edge of the door. If there is upward movement of ½" or more, replace the hinges. On spring-mount hinges, when the doors no longer close properly, replace the hinges.

Table F – Preventive Maintenance Action Index

	Frequency	Description
1.	Monthly	A. Inspect condenser coil to make certain air flow is not obstructed and that it is clear of dust and debris.
2.	Bi-Monthly	A. Inspect and clear drain line. B. Check the liquid refrigerant sight glass for proper refrigerant charge C. Clean interior and exterior of cabinet with mild detergent and water, dry thoroughly D. Check both condenser fan motor and evaporator motor(s) for proper function and that they are mounted securely E. Clean door gaskets and breaker strips with a damp cloth
3.	Annually	A. Slide out condensing unit, check all joints and fittings for signs of wear, leaks, or fatigue B. Inspect electrical connections to make certain that there is a good contact and that wires are neither weakened or frayed. C. Check the integrity of the cabinet
4.	Three Year	A. Replace all door gaskets B. Inspect motor shafts for noise or wear C. Inspect electrical controls and wiring D. Inspect door latch (when applicable) and hinges.

Chapter 5 – Troubleshooting

This chapter will assist in a systematic check of components in determining any cause of equipment failure.

It will be necessary that the individual involved in the troubleshooting operation be familiar with the function of the equipment as described in Chapter 3.

The following table lists the most common symptoms that may be experienced and the recommended corrective action. The tables are separated into electrical maintenance, mechanical maintenance, and operators' actions.

Table G – Mechanical and Electrical Troubleshooting Guide

Symptom	Possible Failure	Remedy
Unit does not operate	A. Control failure B. Incorrect voltage C. Failed compressor	A. Adjust control or replace B. Correct C. Replace
Unit runs continuously	A. Control failure B. Bad connection at TXV expansion valve C. Restricted air flow D. Bad condenser fan motor E. TXV valve stuck open F. Ineffective door seal G. Restricted air flow in storage compartment	A. Adjust control or replace B. Check and secure sensor bulb to suction line C. Clear obstruction and clean condenser D. Check and replace E. Replace F. Adjust door latch and hinges G. Redistribute food for even air flow
Low Head Pressure	A. Defective Compressor B. Low refrigerant C. Ambient temp too low	A. Replace B. Leak check & recharge C. Raise room temperature
High Head Pressure	A. Dirty compressor B. System contains air C. Refrigerant overcharge D. Condenser fan bad	A. Clean compressor B. Evacuate, change filter dryer, recharge C. Reduce qty of refrigerant D. Replace
Short Cycling	A. Maladjusted control	A. Adjust control

Chapter 6 – Corrective Maintenance

6.1 Introduction

This chapter focuses on the instruction needed in the removal and replacement of certain components. We will also address the repair of components not listed under the schedule maintenance index covered in Chapter 4.

The components that we address are considered acceptable for repair using standard procedures that we will detail. The level of skills required to perform the service or repair will vary. Some may require specific training. It is up to the individual and /or his supervisor to determine their capability to undertake the particular task of service or repair. It is also important to know that any procedure requiring the handling of electrical components and appliances. The service or repair items are limited to those listed in Chapter 7.

6.2 Repair Procedure

****WARNING****

PRIOR TO PERFORMING ANY WORK ON THE SYSTEM, IT IS REQUIRED THAT THE UNIT BE DE-ENERGIZED.

Note: To access the electrical components the louvered grill on the front of the cabinet must be removed. To remove it, simply lift up and pull the bottom of the grill outward.

6.2.1 Replacement of Compressor (Part #: RUT391)

1. Evacuate the refrigerant from the system using a recovery system in compliance with all Federal regulations.
2. Disconnect power supply to the unit.
3. Remove the exterior louvered grill to access the condensing unit compartment.
4. With the grill(s) removed, use a 3/8" wrench/socket to remove the mounting bolts that secure the condensing unit to the cabinet base. Slide entire unit out, paying attention to lift it over the angle mounting clips at the base.
5. Find electrical terminal box on side of compressor and remove cover. Disconnect the wires from the compressor. Remove the screws that attach terminal box to the compressor. The compressor is now electrically detached.

6. Using wrenches, remove the suction and discharge valve stem cover caps on each side of the compressor. Also remove the cap nut on the suction and discharge side as well.
7. Disconnect high-side line at the compressor. This is done by heating the brazed connection using an acetylene and oxygen torch set. **Note:** *Do not apply a flame to lines containing refrigerant.*
8. To remove the low pressure control capillary tube and service fitting, loosen the ¼" brass flare nut on the suction valve.
9. Disconnect the compressor from its mounting. Remove the wire clips on each of the four feet. Remove old compressor.
10. To install the new compressor, place it in position on the base and reinstall four wire clips.
11. Reattach the suction and discharge valve blocks to the appropriate sides of the compressor.
12. Reattach the low pressure control capillary tube and service fittings to the suction side of the compressor.
13. Reattach the suction line to the compressor.
14. Prepare the high pressure line's end by cleaning off residue using a fine sandpaper or emery cloth. Also clean the connection on the compressor. Apply flux to both ends and braze the connections into place.
15. Remove valve stem cap from suction block on side of the compressor. Run valve stem out all the way then in one turn clockwise.
16. Place refrigeration service gauge hoses on both suction and high side valves. Attach a bottle of refrigerant to the charging hose and charge the system with 150 psi of vapor. Use an electronic leak detector to check system for leaks. Repair all leaks, if necessary.
17. If no leaks are present, recover the test charge using a vacuum recovery pump.
18. With the system pressure at zero, connect the vacuum pump and evacuate the system. Run pump for 1 hour. Pump should pull system down to 30."

19. Reattach electrical terminal box and secure all wiring.
20. Check refrigeration tag on the unit for the number of ounces of refrigerant to place into the system for start-up. Monitor the pressure on both the suction and discharge sides of the manifold gauges. As the temperature in the storage area begins to fall, check the refrigerant flow through the sight glass. The unit is fully charged when there are no bubbles in the sight glass. If after five minutes of operation, bubbles are still present, it may be necessary to add more refrigerant, which should be done in small amounts to keep from overcharging.

Warning: *Overcharging a refrigeration system can be dangerous. If assistance is required, call Cospolich (800) 423-7761 to speak to a service technician.*

6.2.2 Replacement of Low Pressure Control (Part #: RWPL02)

1. Disconnect the unit from electrical service
2. Remove control cover and disconnect electrical terminals
3. Disconnect capillary tube
4. Remove mounting fasteners on control base and install new control
5. To adjust the new control, hook up service gauges to the suction and discharge valves and crack them to allow the gauges to detect a reading.
6. Start the system and allow it to run for five minutes. Monitor the low side pressure. Fine adjustments may be necessary to achieve the proper cycling pressures.

Note: *Running the suction valve in or out as required to effectively change the pressures can speed up the control adjustment process.*

6.2.3 Replacing Expansion Valve (TXV)—(Part #: RWEV27)

1. Close liquid valve and run compressor until it pumps refrigerant into the receiver (low side service gauge will read 1 lbs). Close the suction line valve.
2. Disconnect the sensor bulb on the suction line.
3. Disconnect the liquid line (1/4") and suction line (3/8") then remove the TXV.
4. Install new TXV, reconnect lines, and re-fasten the sensor bulb.

6.2.4 Replacing Filter Dryer— (Part #: RWFD02)

1. Close liquid line valve and run compressor until the low side refrigeration gauge indicates zero lbs, then close suction.
2. Remove the filter dryer from the system and replace with new dryer.
3. Purge system and add refrigerant, if needed.

6.2.5 Replacing Condenser Fan Motor— (Part #: RWCM06)

1. Disconnect all electrical power to the unit.
2. Remove the condensing unit from its compartment.
3. Remove the protective wire shroud from around the motor.
4. Disconnect fan motor leads from the terminal box on the compressor.
5. Remove the mounting screws at the motor base.
6. Using an Allen wrench, remove the aluminum fan.
7. To install new motor, reverse the process.

6.2.6 Replacing Condenser Fan Blade—(Part #: RWFB05)

1. Disconnect all electrical power to unit.
2. Remove the condensing unit from the its compartment.

3. Locate and remove the five mounting screws attaching the blower trim and frame.
4. Remove protective wire shroud from around the motor.
5. Using an Allen wrench, loosen the set screw on the blade hub and slide the blade from the shaft.
6. Replace the blade. Reverse the process to reassemble.

6.2.7 Replacing the Anti-Condensate Heater(s)—(Part #: L1HA176)

NOTE: The anti-condensate heater wire is located behind the front edge of the vinyl breakers in the door opening.

1. Disconnect all electrical power to the cabinet
2. Remove vinyl breaker strips by exerting pressure at the front edge toward the door.
3. Disconnect anti-condensate heater wiring connection.
4. Remove heater from recessed rail.
5. Replace new heater wire in rail and reconnect electrical.

6.2.8 Replacing Door Handle/Latch—(Part #: HXLH10)

1. Please call Cospolich Customer Support (800) 423-7761 for assistance.

6.2.9 Replacing Door Hinge(s)—(Part #: HXHE02)

NOTE: This procedure is best accomplished with two people—one to hold the door while the other removes and the attachment screws.

1. Using a screwdriver, remove the three screws that attach the butt section of the hinges to the cabinet.
2. With the door detached from the cabinet, remove the screws that attach the hinges to the door.
3. To install replacement hinges, reverse the process.
4. On spring-loaded hinges (when applicable), careful attention must be paid to the spring cartridge during the replacement process. Call Cospolich (800) 423-7761 for assistance.

6.2.10 Replacing Door Gasket—(Part #s: TGA60MV)

NOTE: It is suggested that the door be removed from the cabinet and placed gasket side up on a table during the replacement process. Pay careful attention not to cut the new gasket when installing.

1. Pull back gasket and remove all fasteners located below the gasket lip.
2. Clean the area under the gasket.
3. Place new gasket on door, replace all fasteners.
4. Reinstall door onto cabinet.

Cospolich Inc. urges that all individuals responsible for training, teaching or advising, installation mechanics and service personnel emphasize proper techniques and strict adherence to recommended practices for electrical maintenance.

Chapter 7—Parts List

7.1 Introduction

This section of the manual contains lists of replaceable parts. Each of the tables contain a list of removable parts associated with an assembly of the cabinet . No parts identification has been provided for details of permanently assembled items or those items that are not suitable for field repair.

7.2 Source Codes

The sources for some items are shown in the part tabulation. Where no individual source code is listed, the part is available through Cospolich Inc. , PO Box 1206, Destrehan, LA 70047 (Fed. Mfg. Code #66682).

Table H—Source Codes

Code Number	Name	Address
14852	Bohn Heat Transfer	Danville, IL 61932
32761	Kason Industries	Shenandoah, GA 30265
50992	Ranco Controls	St. Louis, MO 63143
78462	Sporlan Valve	St. Louis, MO 63143
14569	Copeland Corporation	Sidney, OH 45365
17529	Watsco	Hialeah, FL 33010
59431	Tecumseh Products	Tecumseh, MI 49286
49048	Miljoco Corporation	Eastpointe, MI 48021
45020	Nashville Wire Products	Nashville, TN 37202
79264	Jean's Extrusions, Inc.	Salem, IN 47167
2K223	Refrigeration Hardware	Sun Valley, CA 91353
87518	Standard Keil, Inc.	Allenwood, NJ 08720
60886	Idec Corporation	Sunnyvale, CA 94089
19220	Eberhard, Inc.	Cleveland, OH 44136
66682	Cospolich, Inc.	Norco, LA 70079

Table I—Parts List for THW30-2M-SBNM-MLR

	ITEM	COSP#	MFG#	Vendor	QTY	U/M
1	LEFT DOOR ASSEMBLY WITH ASTRIGAL	TDA60S(T)	TDA60S(T)	COSPOLICH	1	EA
2	DOOR GASKET	GTHW30(T)MV	02-070	RHS	2	EA
3	DOOR HINGE	HXHE02	0217000008	KASON	6	EA
4	DOOR LATCH****	HXLH10	172BC	KASON	2	EA
5	END CATCH****	HXLH42	EMC4974-52U-ZN	AUSTIN HARDWARE	4	EA
6	S/S PRODUCT PAN	FTW32S	FTW32S	COSPOLICH	6	EA
7	1/2" DRAIN LINE TUBING*	CVT12	CVT12	SASCO	10	FT
8	HINGED RIGHT CONTROL PANEL ASSEMBLY	RCTL30	RCTL30	COSPOLICH	1	EA
9	OVERLAY	CXL040	CXL040	AD GRAPHICS	1	EA
10	115V-25.2V TRANSFORMER	PCPT56	273-1366	RADIO SHACK	1	EA
11	INDICATOR LIGHT	PCSW03	APD199	MG AUTOMATION	2	EA
12	CLEAR LENS	PCSW10	APD-106LN-C	MG AUTOMATION	2	EA
13	LIGHT BULB	PCSW11	APD199N-120V	MG AUTOMATION	2	EA
14	THAW SWITCH	PCSW90	ASD311N-202	MG AUTOMATION	1	EA
15	COMPLETE TERMINAL BLOCK ASSEMBLY	PCTB301	PCTB301	COSPOLICH	1	EA
16	120V RELAY	PCCR36	RH2B-UL120	MG AUTOMATION	2	EA
17	RELAY SOCKET	PCRS22	SH2B-05	MG AUTOMATION	2	EA
18	TERMINAL END STOP	PCTES35	ES35	MG AUTOMATION	4	EA
19	DIN RAIL	PCTR001	MBDN1000	MG AUTOMATION	1	FT
20	TERMINAL DIVIDER	PCTTW2,5-6	07.311.1255.0	MG AUTOMATION	1	EA
21	TERMINAL SECTION	PCTWK6/U	WK6/U	MG AUTOMATION	12	EA
22	LED THERMOMETER	RWTM04	ED175-9603	MILJOCO	1	EA
23	SENSOR LEAD	RWTS05	TE-6300-610	JOHNSON CONTROLS	2	EA
24	THERMOSTAT	RWTT08	A319ABC-24-01	JOHNSON CONTROLS	2	EA
25	PREPPED CONDENSING UNIT ASSEMBLY, 404A, 115V	RUT390-PTM	RUT390-PTM	COSPOLICH	1	EA
26	CONDENSING UNIT ONLY	RUT390	AKA9429ZAEC	TECUMSEH	1	EA
27	COMPRESSOR	RUT391	AK174AT-0388-A9-8-952	TECUMSEH	1	EA
28	CONDENSER	RWCD14	50840-1	TECUMSEH	1	EA
29	CONDENSER FAN BLADE	RWFB05	51551	TECUMSEH	1	EA

Table I—Parts List for THW30-2M-SBNM-MLR

	ITEM	COSP#	MFG#	Vendor	QTY	U/M
30	CONDENSER FAN MOTOR	RWCM06	810M009B48	TECUMSEH	1	EA
31	RECEIVER TANK	RWRT03	81080-1	TECUMSEH	1	EA
32	START CAPACITOR	RWCP47	85PS165A53	TECUMSEH	1	EA
33	RELAY	RWRLY07	82498-1	TECUMSEH	1	EA
34	OVERLOAD	RWOVL38	8300CRAN21	TECUMSEH	1	EA
35	SUCTION VALVE	RWSV17	31579-1	TECUMSEH	1	EA
36	FILTER DRYER	RWFD02	C-O52-S	SPORLAN	1	EA
37	PRESSURE SWITCH	RWPL02	010-1483-070	RANCO	1	EA
38	SIGHT GLASS	RWSG09	SA-K142	SPORLAN	1	EA
39	PREPPED EVAPORATOR COIL-FULL ASSEMBLY	TECA01(T)	TECA01(T)	COSPOLICH	1	EA
40	PREPPED EVAPORATOR (COIL ONLY)	RWE031-PT	RWE031-PT	COSPOLICH	1	EA
41	EVAPORATOR COIL ONLY	RWE030	TA17SG	HEATCRAFT	1	EA
42	WIRING HARNESS WITH ML60 TERMINATOR	CR-P232-TERM	CR-P232-TERM	EMF	1	EA
43	EVAPORATOR MOTOR	LWEM18	JA2N256N	ESSEX-BROWNELL	2	EA
44	EVAPORATOR FAN BLADE	RWFB02	6-4610	ESSEX-BROWNELL	2	EA
45	EVAPORATOR FAN COVER	RFG20SSWC	RFG20SSWC	COSPOLICH	2	EA
46	EXPANSION VALVE	RWEV27	FS-1/4-C	SPORLAN	1	EA
47	TERMINAL BLOCK	RLTB01	4145W	HEATCRAFT	1	EA
48	CONTINUOUS HINGE	HXHE20	M48-0132	AUSTIN HDW	1	EA
49	FAN TERMINATOR CLIP*	RWE057	SL243	SUPCO	1	EA
50	HEATER, 115V	RWE105	77056	TRUHEAT	1	EA
51	EVAPORATOR AIR GRILL	RWEF01	RWEF01	NASHVILLE WIRE	1	EA
52	MOTOR BRACKET	RWMB01	RWMB01	CUSTOM FAB	1	EA
53	HEATER WIRE	L1HA176	64-250	RHS	1	EA
54	FRONT GRILL WITH FANS*	GRM1-FB (SUBTHW30)	GRM1-FB(SUBTHW30)	COSPOLICH	1	EA
55	LATCH STRIKE	HXLH11	930C	KASON	4	EA

Table I—Parts List for THW30-2M-SBNM-MLR

	ITEM	COSP#	MFG#	Vendor	QTY	U/M
56	STAINLESS STEEL SHELF WITH TRUSS	SSN35X20B	SSN35X20B	NASHVILLE	6	EA
57	COPPER TUBING WHEEL	RWCTW60M	RWCTW60M	COSPOLICH	1	EA
58	BREAKER STRIP KIT**	BRTHW30(T)	BRTHW30(T)	COSPOLICH	1	SET
59	HORIZONTAL S/S BREAKER STRIP	QED93S	QED93S	COSPOLICH	2	EA
60	VERTICAL S/S BREAKER STRIP	QED92S	QED92S	COSPOLICH	2	EA
61	PLASTIC BUMPER	HXDB01	HDPENAT0.500	PIEDMONT	12	EA
62	QUICK DISCONNECT FITTING-1/4"	RWQF0048	5500-04-08	PARKER	2	EA
63	QUICK DISCONNECT FITTING-1/2"	RWQF0088	5500-08-08	PARKER	2	EA
64	RIGHT DOOR ASSEMBLY	TDA60SR(T)	TDA60SR(T)	COSPOLICH	1	EA
65	DOOR PARTING STRIP (ASTRIGAL)	THWPS01(T)	THWPS01(T)	COSPOLICH	1	EA
66	FRONT GRILL FAN GUARD	RWE5054D	5054D	HEATCRAFT	1	EA
67	GRILL FAN MOTOR	RWEM03	25300701	HEATCRAFT	1	EA
68	GRILL FAN BLADE	RWE5101B	5101B	HEATCRAFT	1	EA

*Not shown in illustrations

** 58 is comprised of 2 ea 59 and 2 ea 60

***Used on models equipped with front-breathing grills only

****Not field-serviceable parts, please call Cospolich (800) 423-7761 for assistance.

Illustrations 7.A, 7.B – (RUT390-PTM) Condensing Unit Assembly (25)



Illustration
7.A

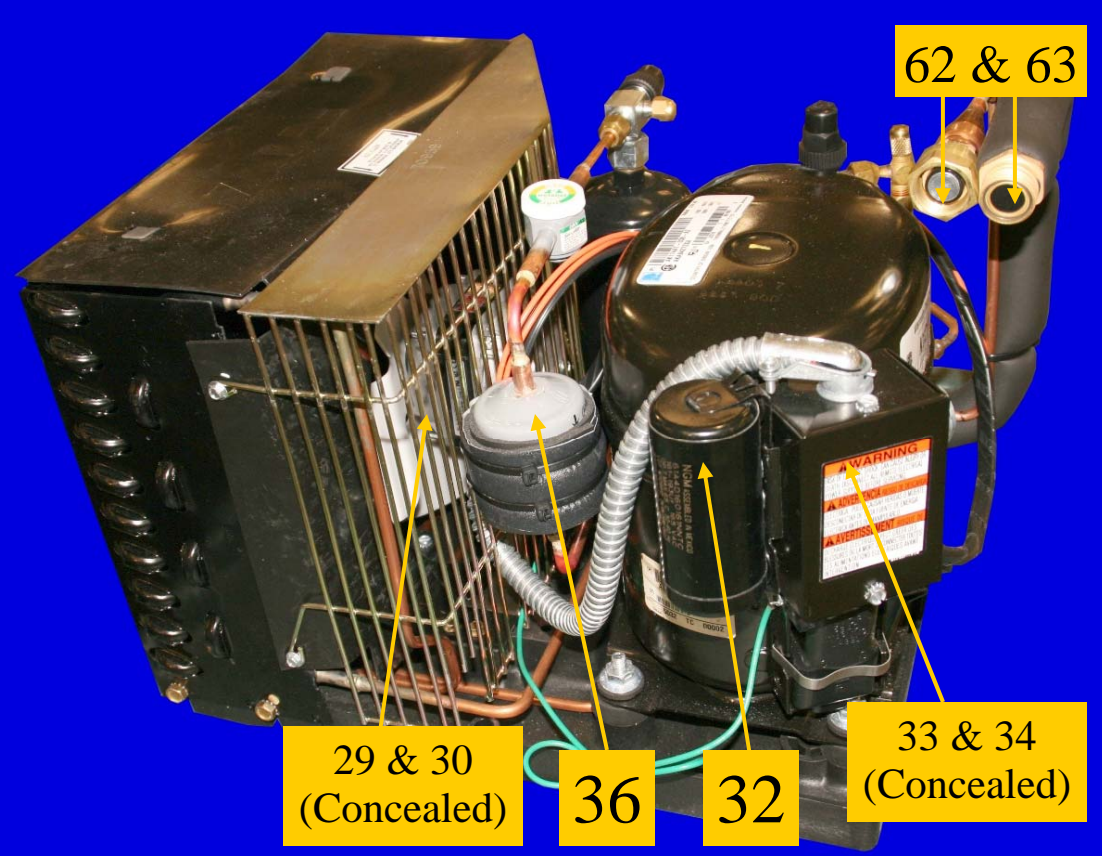


Illustration
7.B

Illustration 7.C – TECA01(T) Evaporator Coil Assembly (39)

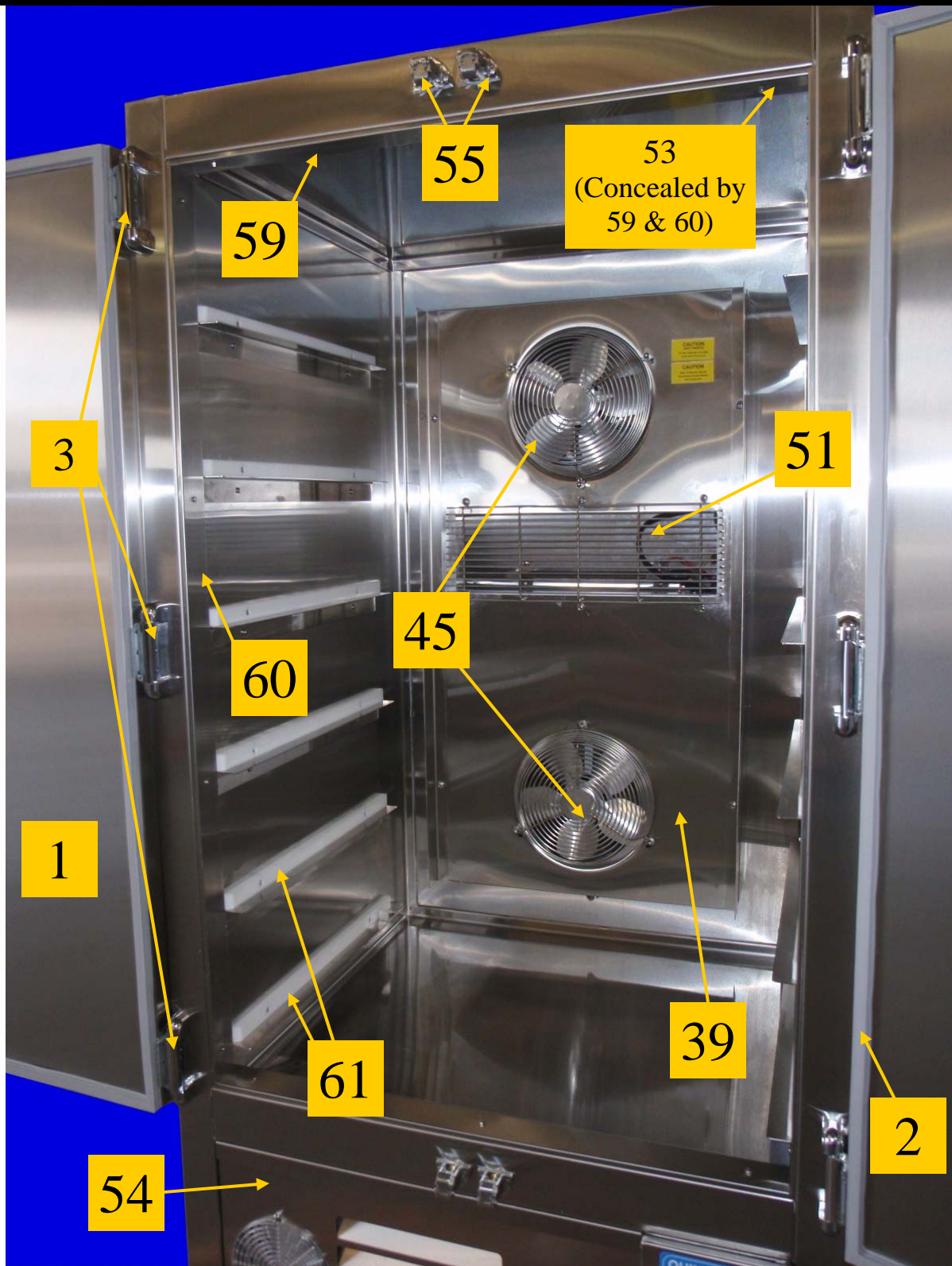


Illustration
7.C

Illustrations 7.D, 7.E – (TECA01) Evaporator Coil Assembly (39)



Illustration 7.D

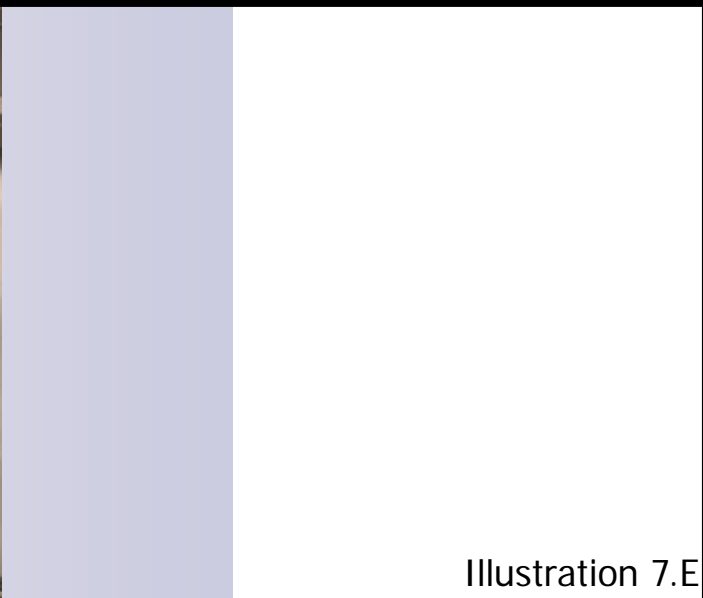


Illustration 7.E

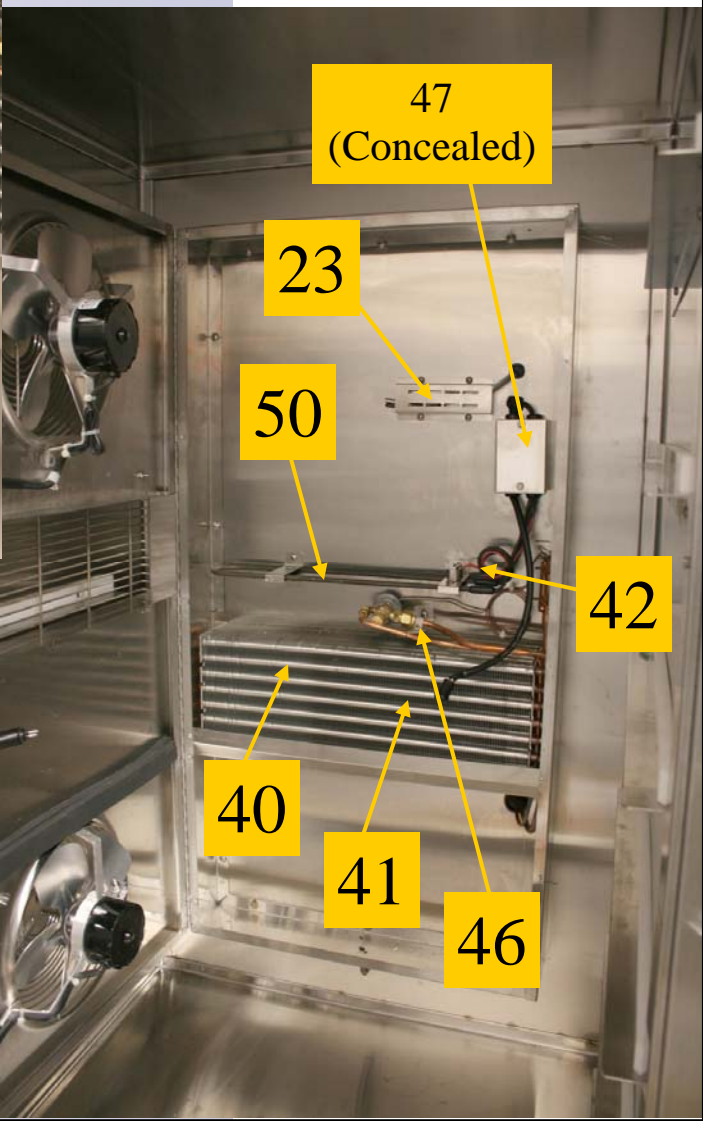


Illustration 7.F

Illustration 7.F— (RCTL30) Control Panel Assembly (8)



Illustration 7.F

Illustration 7.G – (RCTL30) Control Panel Assembly (8)

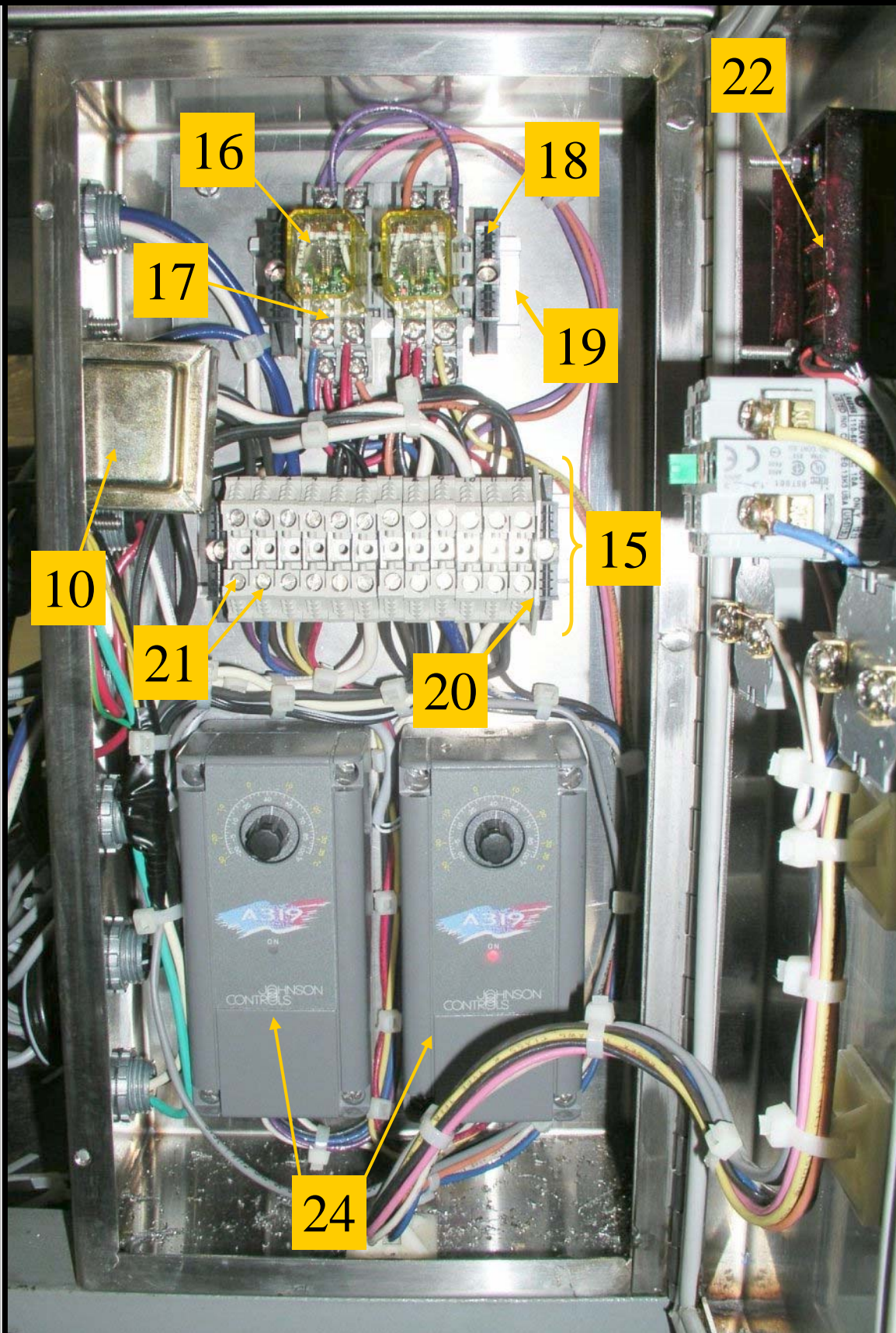


Illustration 7.G

Illustration 7.H– (RCTL30) Control Panel Assembly (8)



Illustration 7.H

Illustrations 7I, 7.J, 7.K, 7.L – TDA60S(T) & TDA60SR(T) Door Detail

(1 , 64)

Illustration 7.I



Illustration 7.J

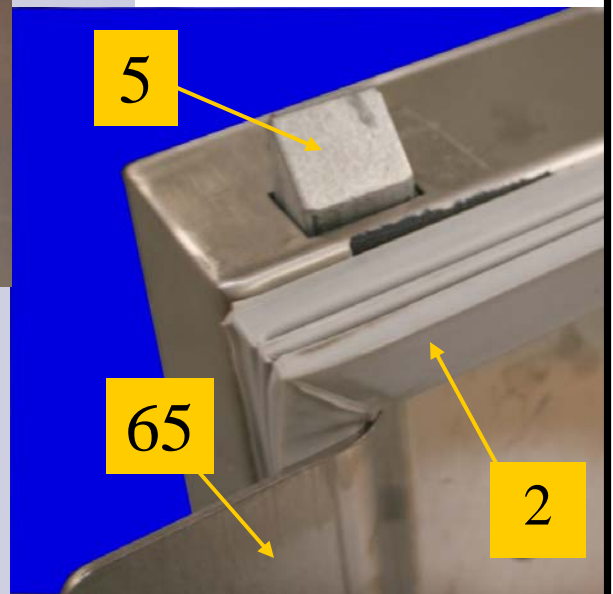


Illustration 7.L

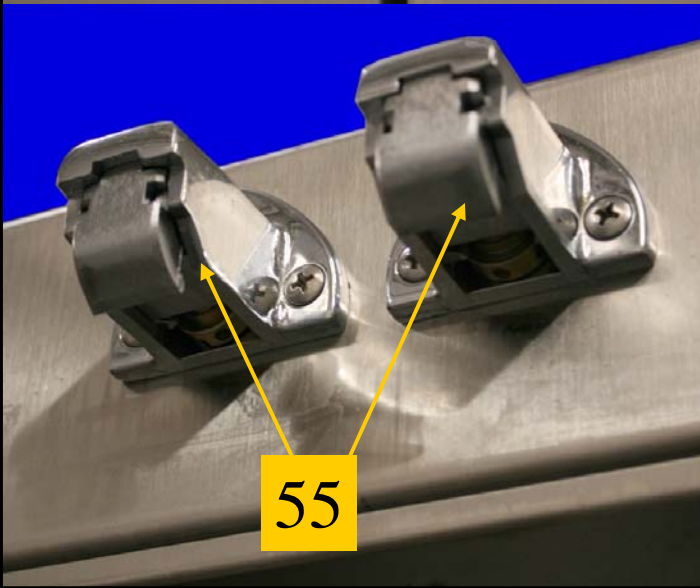


Illustration 7.K

Illustration 7.M – Interior Detail



Illustration 7.M

Illustrations 7.N, 7.O, 7.P – Main Unit Front/Rear Detail & Accessories



57

Illustration 7.N



56

6

Illustration 7.O

Illustration 7.P

Chapter 8 – Installation

8.1 Unpacking

Note: Before unpacking unit, note any crating markings and check for damage to crating and notify the carrier if there should appear to be damage to the equipment.

The unit is shipped from the factory securely fastened to a single shipping pallet protected by an external wrapping.

1. Carefully remove all external wrappings and other protective coverings.
2. Review the installation section of the manual completely prior to installing.
3. Discard crating materials.

8.2 Installation

1. Before moving the unit to the installation site, double-check passageways to make certain that it will move through without modifications.

Note: in certain instances, it may be necessary to remove the doors and hardware to negotiate tight spaces.

2. On most shipboard applications, a permanent base is fabricated by the ship builder to accommodate the base frame of the unit. If required Cospolich can furnish a foundation which can be attached to the deck. **Note: Not required on units with legs**
3. Once the cabinet has been attached to the ship's foundation, it is necessary to apply a silicone sealant around the complete perimeter at the point that the cabinet base contacts the foundation. **Note: Not required on units with legs**
4. Position the unit to allow sufficient ventilation, usually leave a 1" clearance from adjacent bulkheads and other equipment.
5. Level the cabinet from front to back and from side to side. This is important so that when securing to the deck base, the cabinet will not be pulled out of square.
6. Before applying electrical power to the unit, you should first check the electrical characteristics of the appliance and make certain that they agree with those of the electrical supply source. **CAUTION: LOW OR EXCESSIVE VOLTAGE CAN SEVERLY DAMAGE THE ELECTRICAL SYSTEM.**

Chapter 9 – Modular Installation

9.1 Introduction

By design the modular version of the THW30-2M-SBNM-MLR Thaw Cabinet has been engineered and manufactured to be disassembled and reassembled aboard ship. By following these instructions you can be guaranteed a successful installation. Should questions arise or assistance be needed contact Cospolich customer service at (800) 423-7761 or (985) 725-0222. Email cospolich@cospolich.com

9.2 Installation Skill Level

In general the skill level of the installer should be of a journeyman class in the area of mechanic. The primary process will require the following written instructions, use of common tools, and the proper fitting and alignment of the components. The electrical portion of the installation will be minimal, only requiring the unit to be plugged in and all electrical voltages verified.

9.3 Tools

A special wrench was furnished with the cabinet which is needed to operate the camlocks used in the assembly of the equipment. Other common tools required are standard/Phillips screwdrivers and wrenches. If the equipment is to be attached to a foundation, it may be necessary to drill holes.

9.4 Primary Components

Top, bottom, left end, right end, 1 ea TDA60S(T) left front door, 1 ea TDA60SR(T) right front door, 1 ea back panel, condensing unit compartment housing, 1 ea condensing unit assembly, 1 ea evaporator/fan blower assembly, 6 ea product pans with shelves.

9.5 Disassembly

NOTE: Prior to disassembly, the unit should be energized and run for 24 hours to check for proper function and that proper cabinet temperature is maintained. If any issues arise, call Cospolich Service Dept. at (800) 423-7761 immediately.

1. Label and remove both 2 ea doors. Remove all interior product pans & shelves.
2. Remove the front louvered grill.
3. Inside the condensing unit compartment, disconnect electrical and refrigera-

4. The control panel should be left installed within the condensing unit compartment.
5. Remove and label all rear tubing covers.
6. Using the special camlock wrench provided, loosen all perimeter camlocks to the top panel. Remove top panel.
7. Inside the cabinet, the evaporator coil/blower assembly must be disconnected and removed. Disconnect all refrigeration lines connecting the evaporator coil assembly. Disconnect and remove the steering wheel assembly by pulling through the refrigeration holes in the rear of the cabinet. All electrical must be disconnected the evaporator coil assembly and at the control panel down in the condensing unit compartment. Disconnect the drain line from the evaporator coil assembly. Unscrew and remove all fasteners holding the evaporator coil assembly to the interior rear panel of the cabinet. Remove the evaporator coil/blower assembly.
8. The temperature sensing bulb must be unfastened from the rear interior panel of the cabinet and removed by carefully pulling it through the refrigeration holes in the rear of the cabinet.
9. Loosen all perimeter camlocks to both the left and right end panels. Remove both end panels.
10. Loosen all perimeter camlocks to the rear panel. Remove rear panel.
12. Remaining base assembly can be moved in one piece.
13. Reverse steps to install/reassembly cabinet.

NOTE: During reassembly, all mullion heater wires must be placed around perimeter of the door opening. Must be installed in between stainless steel surface and gray plastic strip attached to perimeter of door opening. Stainless steel secondary breaker strips (provided loose in cabinet) must then be installed corresponding with numbers/alphabet labels around inside perimeter of door opening.

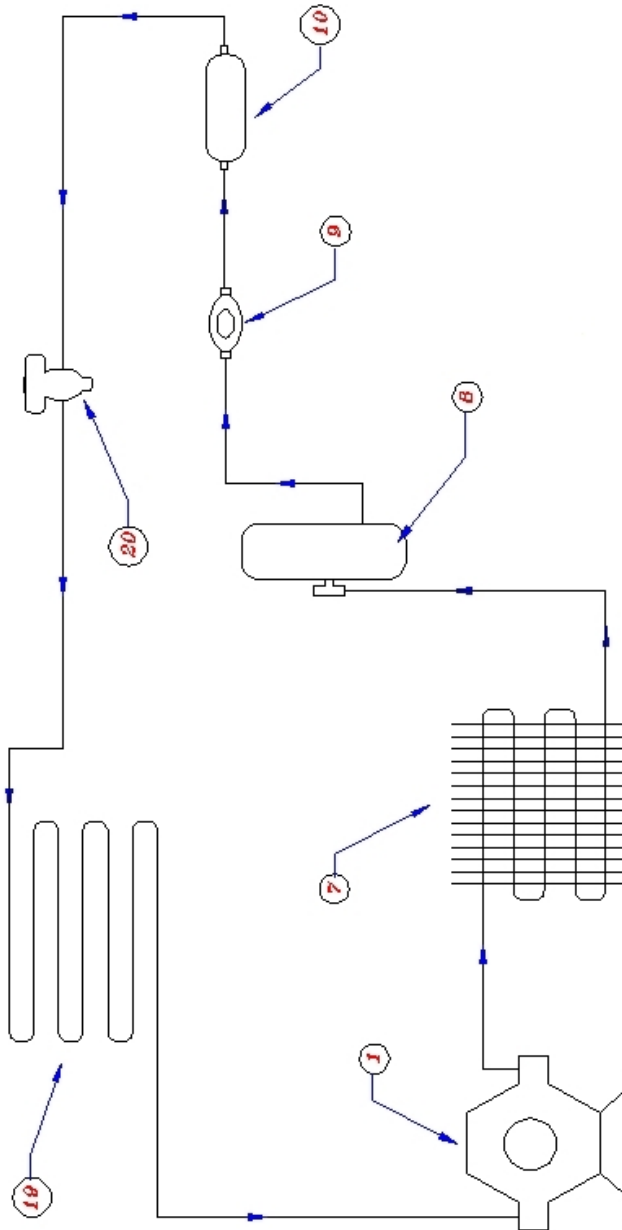
NOTE: *When reassembling the unit on site, all panels must be sealed with beads of gray food-grade silicone (provided) in all female joints. This ensures a proper seal between panels and prevents air, heat, and liquid infiltration. Gray plugs must also be placed in all camlock holes when sealing unit prior to initial use. A squirt of silicone in each camlock hole is also recommended for a proper seal. After all panels are assembled, silicone all interior and exterior seams for a final seal.*

Chapter 10 – Electrical and Mechanical

10.1 Introduction

This section of the manual contains drawings and schematics of the electrical and piping systems.

Illustration 10.A-Mechanical Piping Diagram

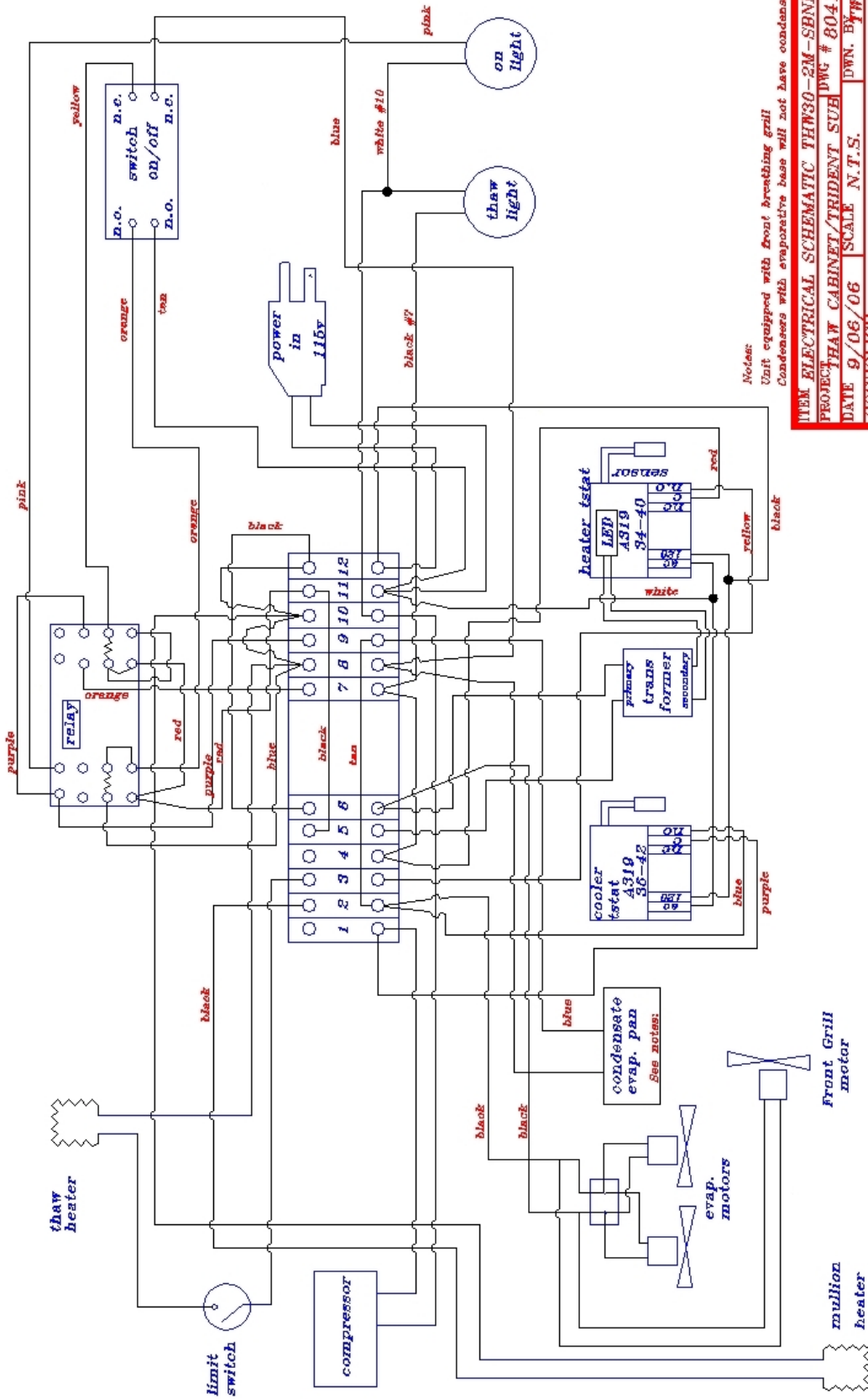


MODEL *Thaw Cabinet*
SPECIFICATION
DIMENSIONS: Width Depth Height
FINISH: Inside (Round) Outside
INSULATION:
REFRIGERATION:
ELECTRICAL: 115V, 1 PHASE, 60 Hz.
SPECIAL PROVISIONING:
REVISIONS:

TWA Piping Schematic		DWG. # 700018
Thaw Cabinet		DATE BY DWG. BY
DATE 12/18/01	SCALE NTS	DATE 12/18/01
COSPOLICH, INC.		
<small>Norco, Louisiana</small>		

ITEM #	DESCRIPTION	QTY.	U.O.M.	REV.	DATE
1	COMPRESSOR	1	EA	1	12/18/01
2	CONDENSER	1	EA	1	12/18/01
3	EXPANSION VALVE	1	EA	1	12/18/01
4	EVAPORATOR	1	EA	1	12/18/01
5	RECEIVER	1	EA	1	12/18/01
6	FILTER	1	EA	1	12/18/01
7	SIGHT GLASS	1	EA	1	12/18/01
8	PIPE	100	FT	1	12/18/01
9	FLANGES	10	EA	1	12/18/01
10	ELBOWS	10	EA	1	12/18/01
11	TEES	10	EA	1	12/18/01
12	VALVES	10	EA	1	12/18/01
13	PIPE FITTINGS	10	EA	1	12/18/01
14	PIPE	100	FT	1	12/18/01
15	FLANGES	10	EA	1	12/18/01
16	ELBOWS	10	EA	1	12/18/01
17	TEES	10	EA	1	12/18/01
18	VALVES	10	EA	1	12/18/01
19	PIPE FITTINGS	10	EA	1	12/18/01
20	PIPE	100	FT	1	12/18/01
21	FLANGES	10	EA	1	12/18/01
22	ELBOWS	10	EA	1	12/18/01
23	TEES	10	EA	1	12/18/01
24	VALVES	10	EA	1	12/18/01
25	PIPE FITTINGS	10	EA	1	12/18/01
26	PIPE	100	FT	1	12/18/01
27	FLANGES	10	EA	1	12/18/01
28	ELBOWS	10	EA	1	12/18/01
29	TEES	10	EA	1	12/18/01
30	VALVES	10	EA	1	12/18/01
31	PIPE FITTINGS	10	EA	1	12/18/01
32	PIPE	100	FT	1	12/18/01
33	FLANGES	10	EA	1	12/18/01
34	ELBOWS	10	EA	1	12/18/01
35	TEES	10	EA	1	12/18/01
36	VALVES	10	EA	1	12/18/01
37	PIPE FITTINGS	10	EA	1	12/18/01
38	PIPE	100	FT	1	12/18/01
39	FLANGES	10	EA	1	12/18/01
40	ELBOWS	10	EA	1	12/18/01
41	TEES	10	EA	1	12/18/01
42	VALVES	10	EA	1	12/18/01
43	PIPE FITTINGS	10	EA	1	12/18/01
44	PIPE	100	FT	1	12/18/01
45	FLANGES	10	EA	1	12/18/01
46	ELBOWS	10	EA	1	12/18/01
47	TEES	10	EA	1	12/18/01
48	VALVES	10	EA	1	12/18/01
49	PIPE FITTINGS	10	EA	1	12/18/01
50	PIPE	100	FT	1	12/18/01

Illustration 10.B-Electrical Schematic



ITEM ELECTRICAL SCHEMATIC THW30-2M-SBMM-MLF
 PROJECT THAW CABINET/TRIDENT SUB DWG # 80418
 DATE 9/06/06 SCALE N.T.S. DWN. BY JH/KJH
 COSHOLICH REFRIGERATOR CO. INC. NORCO, LOUISIANA

Chapter 11 – Limited Warranty

Cospolich Inc. warrants their cabinets to consumers against defects in material or workmanship under normal use and service for a period of one year from the date of the shipment. We will repair or replace at our option, any part, assembly or portion thereof which Cospolich's examination discloses to be defective. Cospolich will pay the labor costs for the repair up to twelve (12) months from date of shipment.

In instances where the purchaser is not the owner in possession and the acceptance of Cospolich equipment is closely tied to the completion and delivery of the project, our warranty will begin on the acceptance date and will extend for one year.

Terms

Exclusions

Cospolich's obligations under this warranty shall not extend to any malfunction or other problem caused by unreasonable use, such as but not limited to, improper setting of controls, improper installation, improper voltage supply, loose electrical connections or blown fuses, and damage not attributable to a defect in workmanship. This warranty shall not apply to any cabinet or component part that has been suspect to any accident, alteration, abuse, misuse to any damage caused in fire, flood, or other acts of God and to any product that has been serviced by an unauthorized service person or company.

To secure Warranty Service

If you claim a defect under this warranty, direct your claim to whom you purchased the product, giving model, serial and code numbers with a description of the problem. Telephone calls should be directed to the service department at (800) 423-7761 or (985)725-0222 with fax request going to (985) 725-1564.

If the above procedure fails to satisfy your claim, you may write directly to the following address including the above identifying information.

**DIRECTOR of CUSTOMER RELATIONS
COSPOLICH INC.
P.O. BOX 1206
DESTREHAN, LA 70047**

There is not other express warranty on the Cospolich units except the terms stated herein. Any implied warrants of fitness and merchantability are limited in duration to the duration of this Warranty. The liabilities of Cospolich are limited solely and exclusively to replacement as stated herein and do not include any liability for any incidental, consequential or other damages of any kind whatsoever, whether any claim is based upon theories of contract negligence or tort. Some states do not allow limitations on how long an implied warranty lasts, or the exclusion of limitations of incidental or consequential damages. So the above limitations and exclusions may not apply to you. This warranty gives you specific legal rights and you may also have other rights that vary from state to state.

